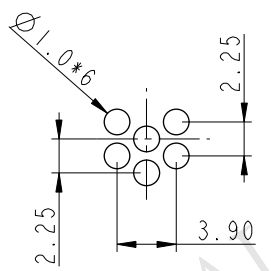
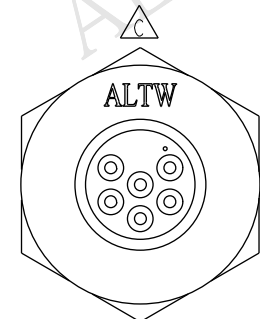
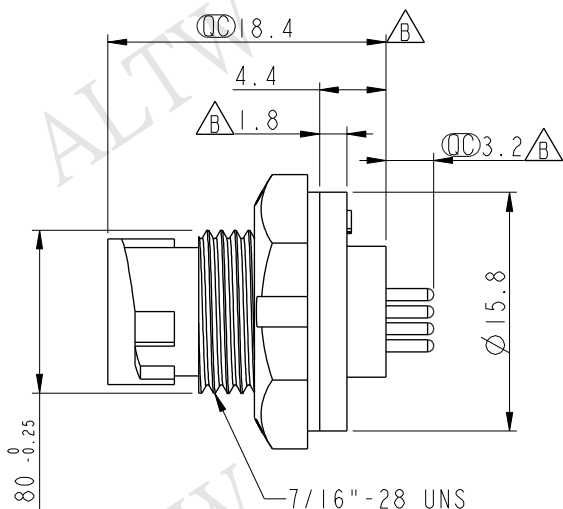
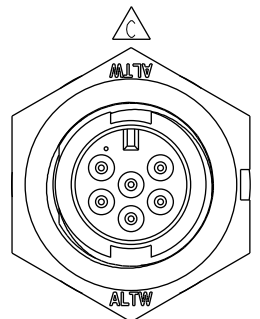
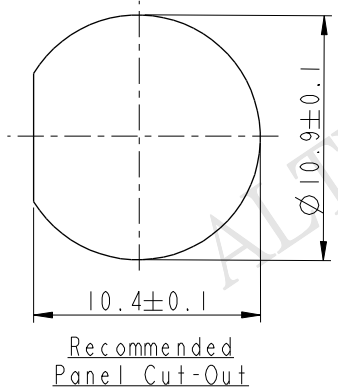
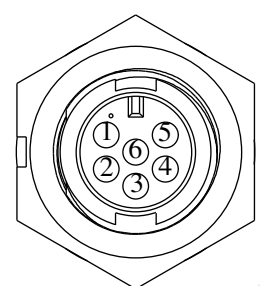
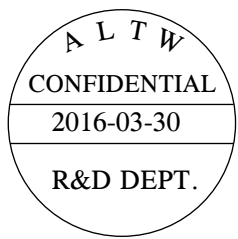


THIS DOCUMENT IS SUBJECT TO CHANGE WITHOUT NOTICE. IT IS CONFIDENTIAL AND A PROPERTY OF AMPHENOL LTW. DISCLOSURE TO THIRD PARTY HAS TO BE AUTHORIZED BY AMPHENOL LTW.

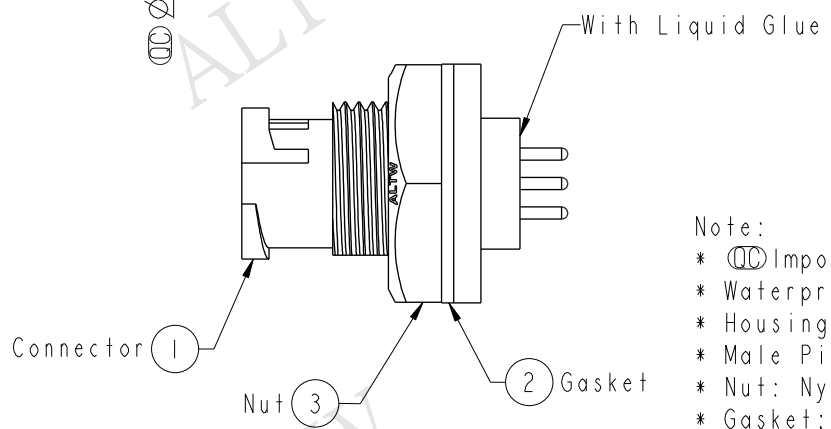
REV.	ECN NO.	DATE	SIGN	DESCRIPTION
B	LEN-880493	2008/07/19	Li Xiu Zhi	Change Dimensions
C	LEN1640081	2016/03/30	Vicky	Update Logo



6 Pin Male Conn  
Male Pin PCB Layout



Pin Assignments  
Front View



- Note:
- \*  $\varnothing$  Important Dimension
  - \* Waterproof Rate: IP67
  - \* Housing: Nylon+GF, Black
  - \* Male Pin: Copper Alloy, Gold Plated
  - \* Nut: Nylon+GF, Black
  - \* Gasket: EPDM, Black
  - $\triangle B$  \* Use with waterproof cap or dust cap  
For Panel Thickness max: 2.5mm
  - $\triangle B$  \* Use without waterproof cap or dust cap  
For Panel Thickness max: 3.5mm

UNIT:mm  TOLERANCE .X ±0.25 .XX ±0.1 .XXX ±0.05 ANGLES ±1°	TITLE Mini Panel Lock 6Pin M Conn. M Pin			<b>Amphenol LTW</b> 安費諾亮泰企業股份有限公司		ITEM NO AU-06PMMP-LC7001	DRAWN BY Vicky	DATE 2016-03-30
	SCALE 2:1	SIZE A4	SHEET 1 OF 1			DWG NO AU-06PMMP-LC7001	CHECKED BY Rita	DATE 2016-03-30
	REV. C	WC-REV. A.5	$\varnothing$ : Inspection item			CUSTOMER ALTW	APPROVED BY Lisa	DATE 2016-03-30
						FMM10702-01-02A1		