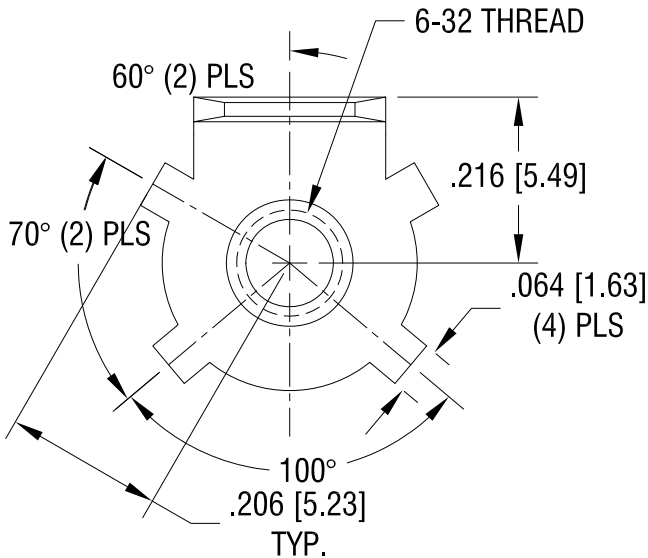
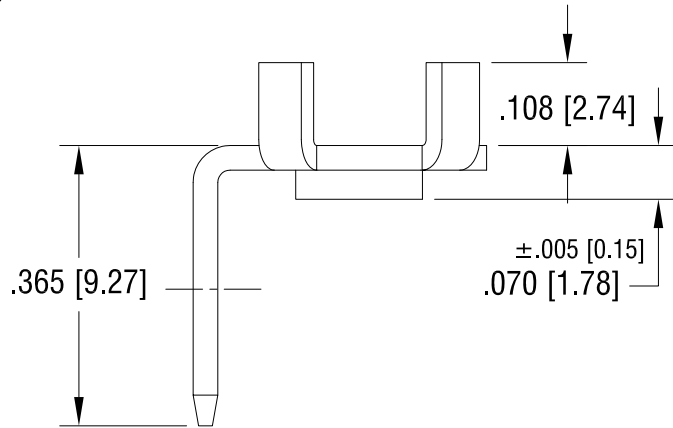
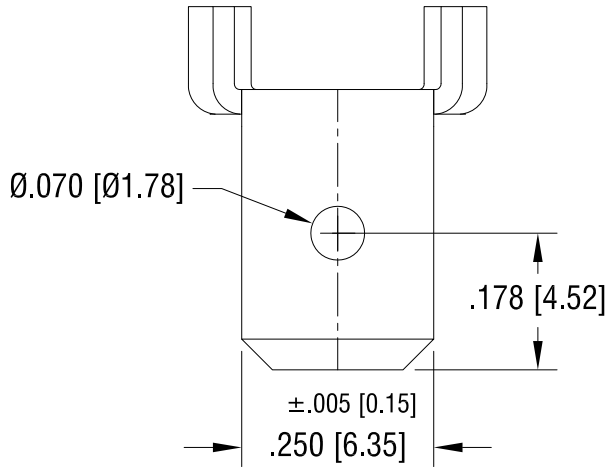
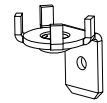
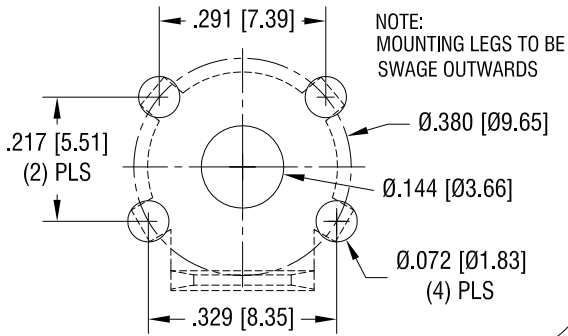


THIS DOCUMENT IS THE PROPERTY OF KEYSTONE ELECTRONICS CORP. AND SHALL NOT BE REPRODUCED, DISTRIBUTED OR USED AS A BASIS FOR MANUFACTURE WITHOUT PRIOR WRITTEN PERMISSION FROM KEYSTONE ELECTRONICS CORP.

MOUNTING LAY OUT



KEYSTONE ELECTRONICS CORP.

www.keyelco.com • ASTORIA, N.Y. 11105-2017 • Tel (718) 956-8900

PART NAME
THREADED NUT WITH QUICK-FIT

MATERIAL
.032 [0.81] BRASS

FINISH NICKEL PLATE	DRN BY NT	DATE 3.02.11
	APP'D LN	SCALE 4X

TOLERANCES	INCH [MM]	CODE	DWG NO.
DECIMAL	± .010 [± 0.25]	C	1247
ANGULAR	± 1°		
UNLESS OTHERWISE SPECIFIED			

5.03.12	CHANGE AS PER ECN 12-058	B
9.28.11	CHANGE AS PER ECR 11-130	A
DATE	DESCRIPTION	REV.