

**User Guide for
FEBFAN23SV04T_LVA
Evaluation Board**

**High-Efficiency Synchronous Buck
Converter for DDR Termination**

Featured Product: FAN23SV04T

*Direct questions or comments
about this evaluation board to:
“Worldwide Direct Support”*

Fairchild Semiconductor.com



Table of Contents

1. Introduction.....	3
1.1. Typical Applications.....	3
1.2. Features.....	3
2. Evaluation Board Specifications.....	3
3. Schematic.....	4
4. Test Setup.....	5
4.1. Test Equipment.....	5
4.2. Test Setup.....	5
5. Configuration.....	6
5.1. V_{DDQ} Input.....	6
5.2. Enable Selection.....	6
5.3. On board transient generator.....	6
6. Test Procedure.....	7
6.1. Measurement Procedure.....	7
6.2. List of Test Points and Connections.....	7
7. Performance Data and Characteristic Curves.....	8
8. Printed Circuit Board.....	9
9. Bill of Materials.....	11
10. Revision History.....	13



This user guide supports the evaluation board for the FAN23SV04T synchronous buck regulators for Double Data Rate (DDR) tracking applications. It should be used in conjunction with the FAN23SV04T datasheet. Please visit Fairchild's website at www.fairchildsemi.com.

1. Introduction

This evaluation board highlights the FAN23SV04T synchronous buck regulators for DDR-tracking applications, and combines Fairchild's constant on-time control architecture with an integrated MOSFETs to supply high-efficiency Point of Load (POL) solutions.

1.1. Typical Applications

- Servers
- NVDC Notebooks
- Telecommunications
- Game Consoles
- Storage

1.2. Features

- V_{DDQ} Input Functions as Reference Input
- Internal Resistive Divider Programs $V_{OUT} = 0.5 V_{DDQ}$
- Configurable Enable Function
- On-board Transient Generator with Adjustable Load Current Slew Rate
- Internal Regulator; Requires No External Bias Supply
- Test Points for Probing Critical Waveforms, Efficiency Measurements

2. Evaluation Board Specifications

Table 1. Evaluation Board Specifications

Description	Symbol	Value	Comments
Input Voltage	PVIN	7-15 V	
V_{DDQ} Input	VDDQ	0-3 V	
Output Voltage	V_{OUT}	0.6 V	
Switching Frequency	f_{SW}	500 kHz	
Output Load Current	I_{OUT}	0-4 A	
Output Current Limit		120%	Maximum load current
PCB Size		7 cm X 7 cm	
PCB Layer		4 Layers	
PCB Thickness		1.6 mm	
PCB Copper Thickness		1 oz-1 oz-1 oz-1 oz	

3. Schematics

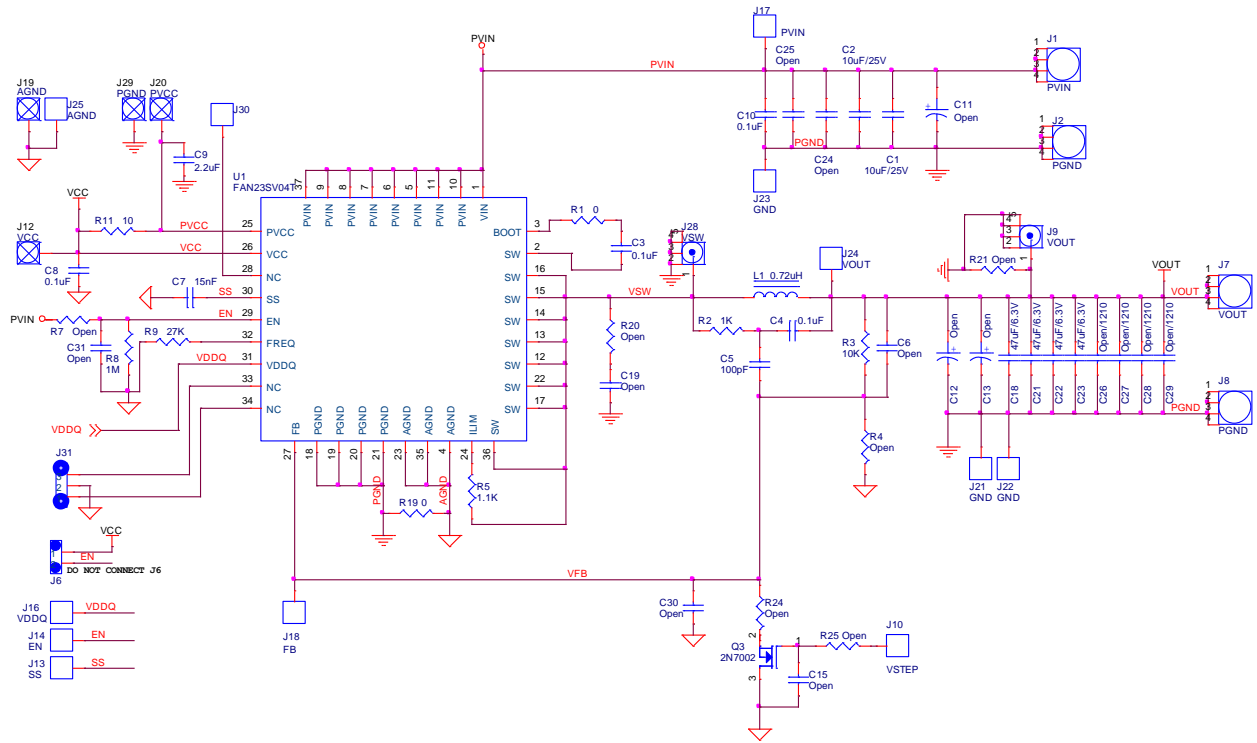


Figure 1. Evaluation Board Regulator Schematic

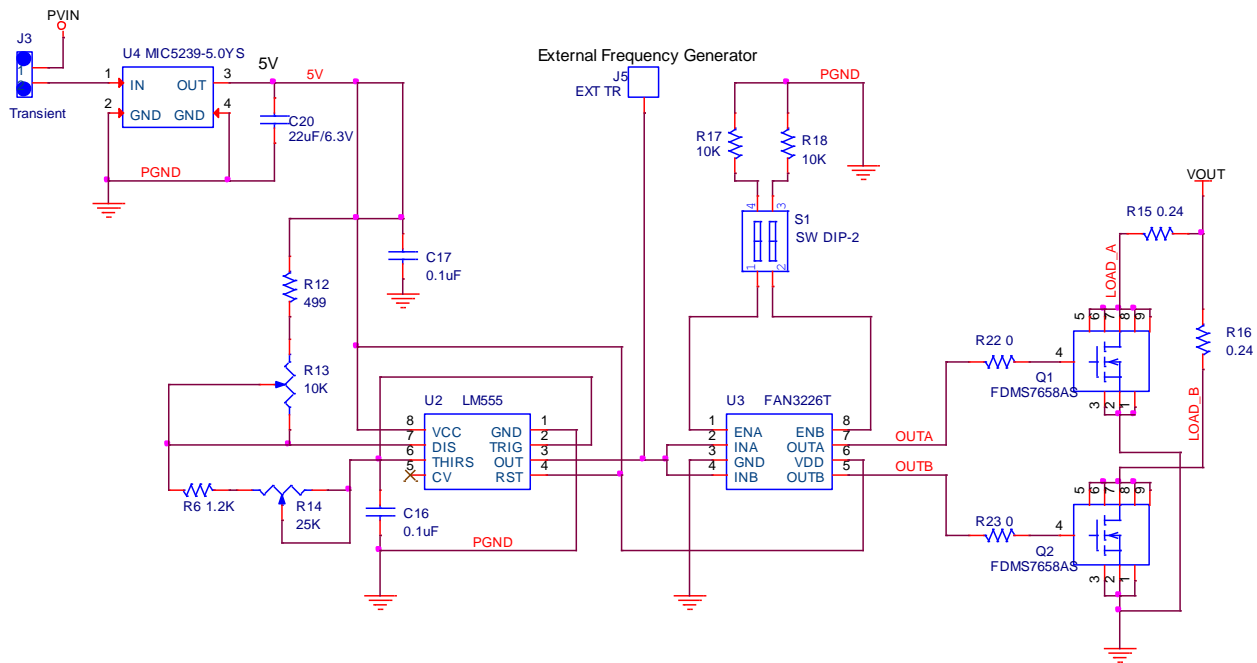


Figure 2. Evaluation Board Transient Generator Schematic

4. Test Setup

4.1. Test Equipment

- 0-15 V / 5 A power supply for input voltage
- Oscilloscope to view waveforms
- 0-5 V / 0.1 A power supply for optional external enable signal

4.2. Test Setup

- Adjust V_{IN} power supply, V_{DDQ} supply, and external EN supply to 0 V.
- Connect V_{IN} supply to PVIN (J1) and GND (J2).
- Connect V_{DDQ} supply to VDDQ (J16) and AGND (J19).
- Connect external enable source to EN (J14) and AGND (J25).
- Optional filter can be installed to filter V_{DDQ} track input source local to evaluation board if needed. With filter installed, V_{DDQ} voltage at (J16) is half ($\frac{1}{2}$) the voltage of the V_{DDQ} supply.

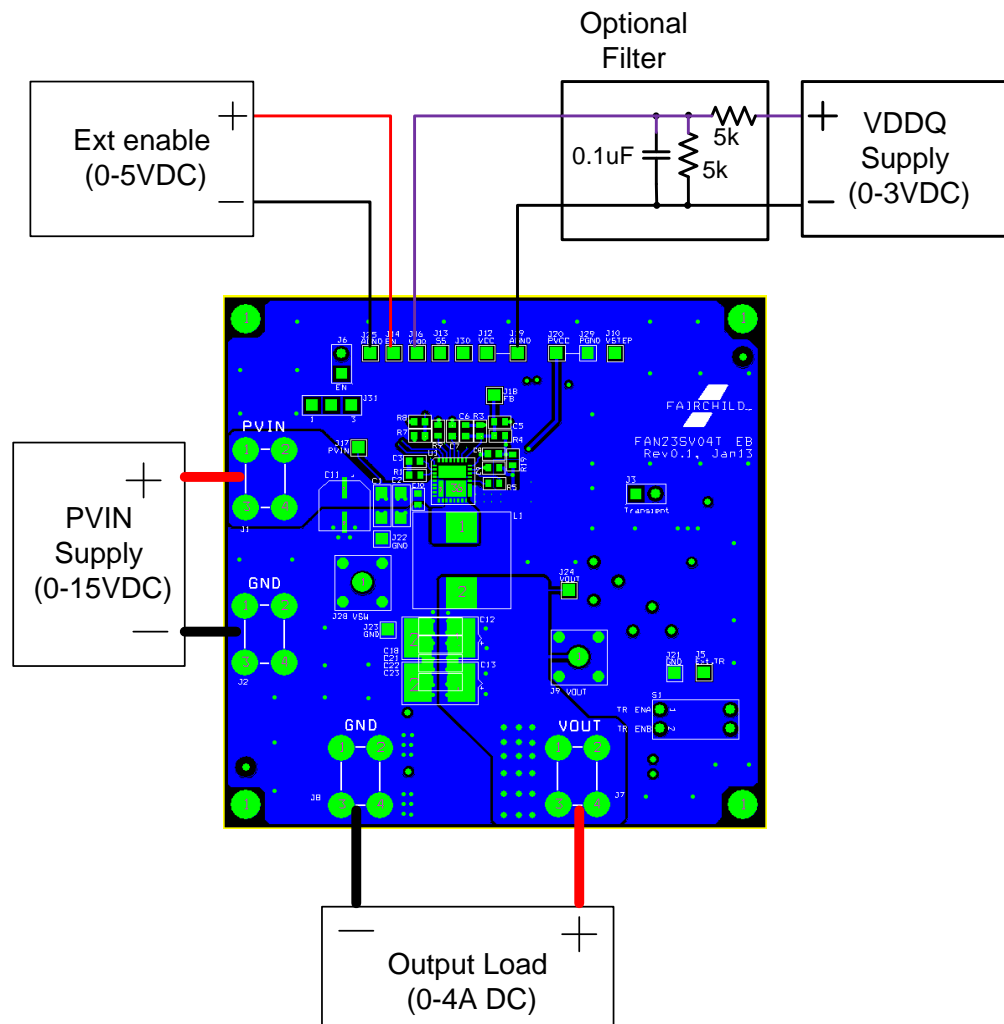


Figure 3. Test Setup for FAN23SV04T Tracking Application

5. Configuration

5.1. V_{DDQ} Input

Figure 3 shows an optional filter on the V_{DDQ} (tracking) input. This filter is not required for operation, but is useful to filter the V_{DDQ} supply voltage input, which is used to develop the reference for the output voltage. This can help reduce frequency jitter.

5.2. Enable Selection

The FAN23SV04T evaluation board can be enabled using an external enable logic signal as shown in Figure 3. R8 can be populated with 1 M Ω to hold EN LOW by default.

5.3. On board transient generator

Transient generator circuitry, shown in Figure 2, is included on the bottom of the board to facilitate testing of extremely fast transient loads, with the following usage guidelines:

- A shorting jumper installed in J3 enables the transient generator.
- Open J3 to conduct efficiency testing.
- R13 and R14 adjust the frequency and duty cycle of the 555 timer.
- J5 can be used to monitor transient frequency and to trigger oscilloscope.
- Switch S1 enables turn-on of load switch Q1, Q2, or both simultaneously.
- Load applied with Q1 ON is equal to $V_{OUT}/R15$; with Q2 ON is equal to $V_{OUT}/R16$.
- Use low duty cycle to minimize power dissipation on PCB.
- R22/R23 can be increased in value to reduce load current slew rate.

6. Test Procedure

6.1. Measurement Procedure

1. Set up equipment and board as shown in Figure 3.
2. For efficiency testing, open J3 (disable transient generator).
3. Adjust load to sink 0 A.
4. Monitor V_{IN} on J17(+) and J23(-) as voltage is increased from 0 V to 12 V.
5. Adjust the external enable signal to 3.3 V to enable converter operation.
6. Adjust the V_{DDQ} signal from 0 to 1.5 V, monitoring on the VDDQ pin.
7. Monitor PVCC on J20(+) and J19(-) as voltage is increased from 0 to 5 V.
8. Monitor V_{OUT} on J24(+) and J23(-).
9. With I_{OUT} from 0 to maximum I_{OUT} ; V_{OUT} should remain in regulation.
10. To disable the converter, adjust external enable signal to 0 V.
11. After converter is disabled, reduce PVIN to 0 V.

6.2. List of Test Points and Connections

Test Points	Name	Description
J1	PVIN	VIN connection (+)
J2	GND	VIN connection (-)
J3	Transient	Connects PVIN to power transient generator
J5	Ext TR	External Transient Generator Frequency Monitor
J6	EN	Connects EN to VCC for auto-enable with non-SV parts
J7	VOUT	V_{OUT} connection (+)
J8	GND	V_{OUT} connection (-)
J9	VOUT	V_{OUT} scope jack
J10	VSTEP	Input to optional V_{OUT} step circuit
J12	VCC	Monitor VCC voltage
J13	SS	SS(Soft-Start) pin 30
J14	EN	Enable input to controller
J16	VDDQ	VDDQ Track input
J17	PVIN	Input voltage (+)
J18	FB	Feedback pin 27
J19	AGND	
J20	PVCC	PVCC supply input (+)
J21	GND	
J22	GND	Input voltage (-)
J23	GND	V_{OUT} monitor (-)
J24	VOUT	V_{OUT} monitor (+)
J25	AGND	AGND reference for EN input
J28	VSW	Switch node scope jack
J29	PGND	PVCC supply input (-)
J30		No connect
J31		No connect

7. Performance Data and Characteristic Curves

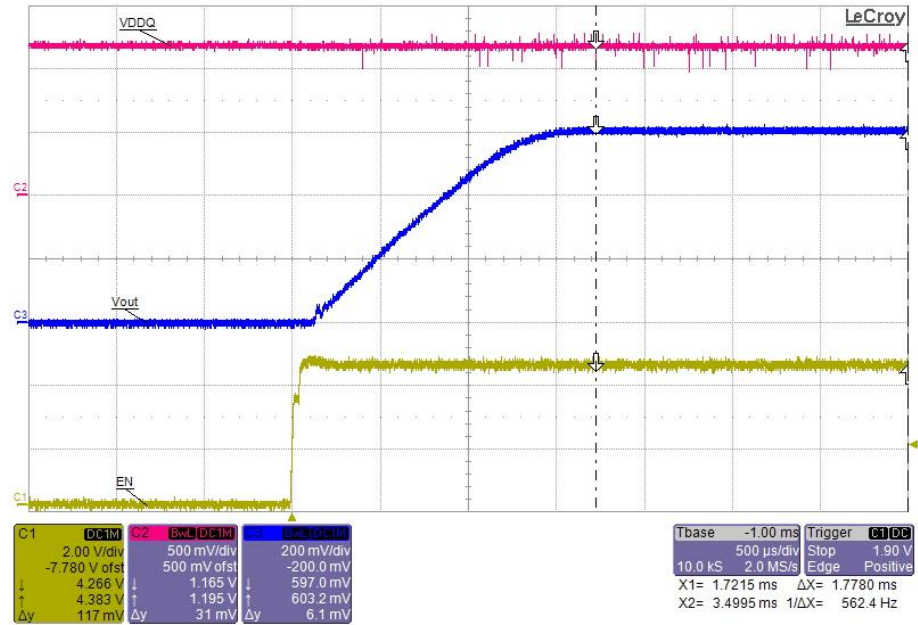


Figure 4. Typical Startup Waveforms with V_{DDQ} before EN Applied

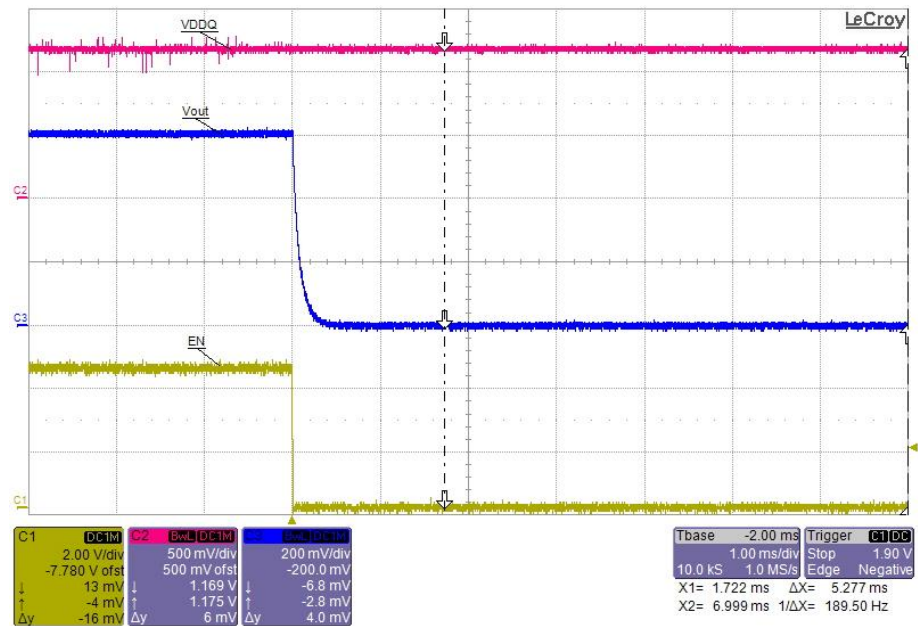


Figure 5. Typical Shutdown Using EN

8. Printed Circuit Board

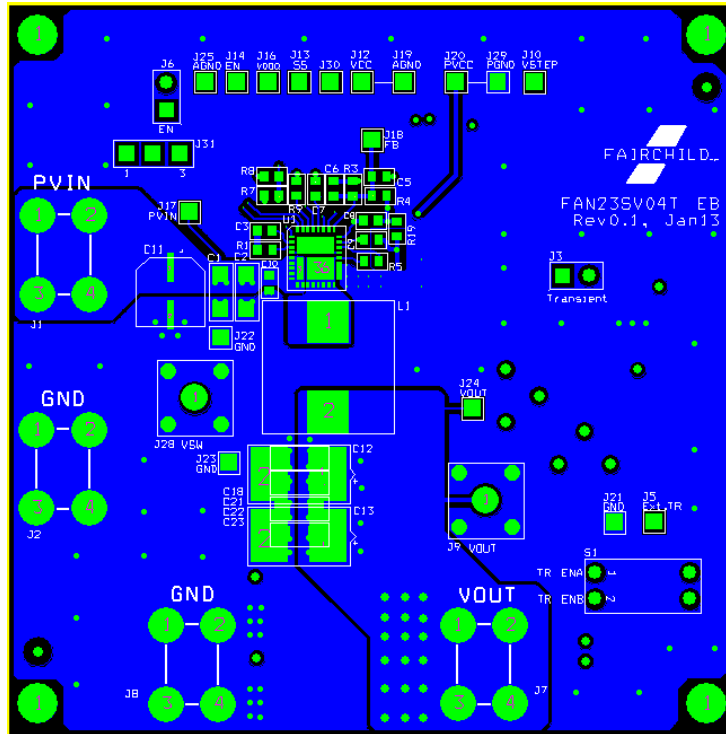


Figure 6. Top Side

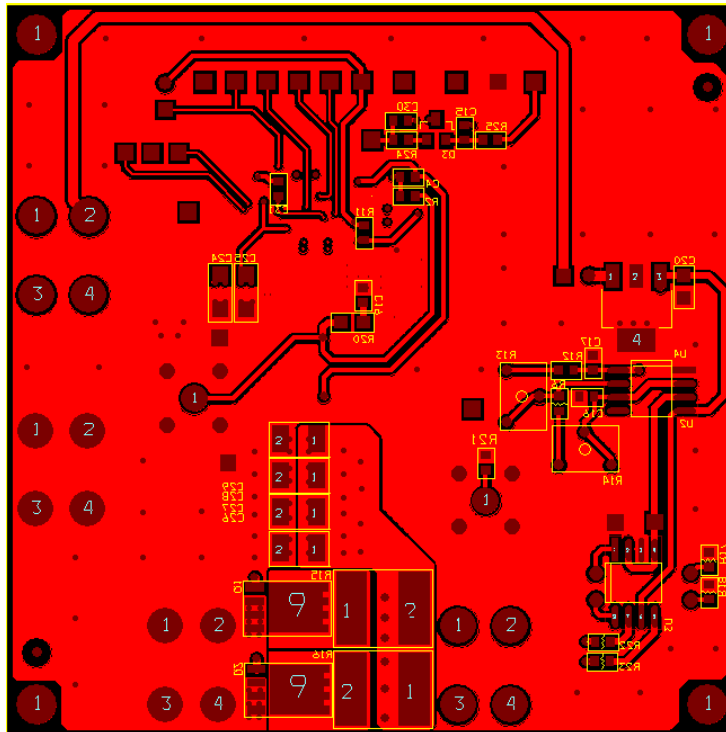


Figure 7. Bottom Side

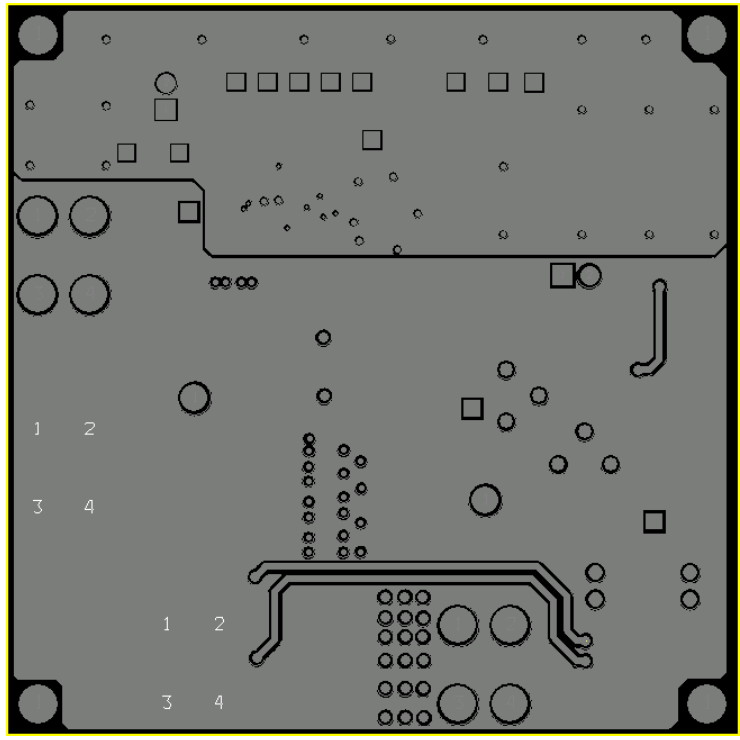


Figure 8. Inner Layer 1

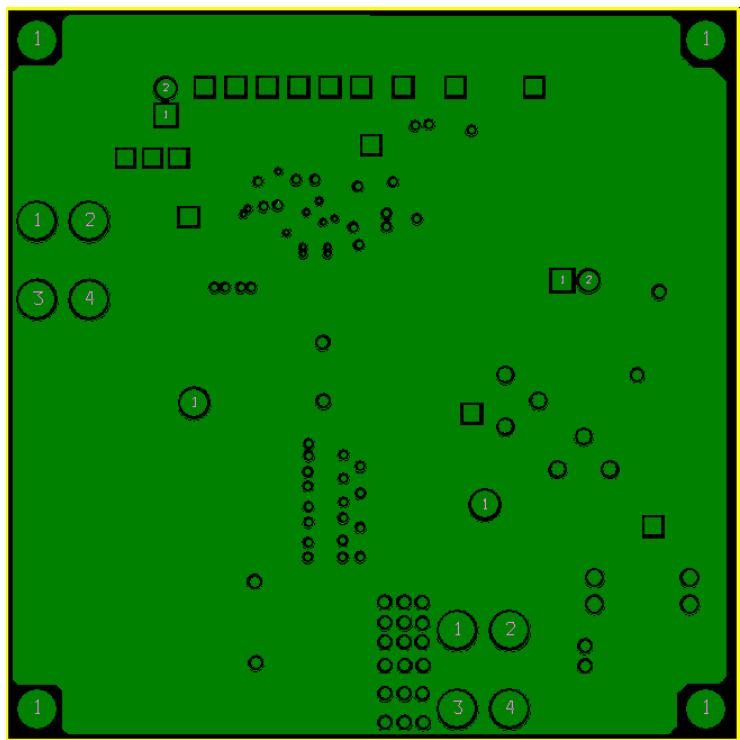


Figure 9. Inner Layer 2



9. Bill of Materials

Reference	Value	Description	Manufacturer PN	Manufacturer	Case	Qty
C1	10 μ F	Capacitor, SMD, Ceramic, X7R, 25 V	TMK316B7106KL-TD	Taiyo Yuden	1206	1
C2	10 μ F	Capacitor, SMD, Ceramic, X7R, 25 V	TMK316B7106KL-TD	Taiyo Yuden	1206	1
C3	0.1 μ F	Capacitor, SMD, Ceramic, X7R, 25 V	C1608X7R1E104K	TDK	0603	1
C4	0.1 μ F	Capacitor, SMD, Ceramic, X7R, 25 V	C1608X7R1E104K	TDK	0603	1
C5	100 pF	Capacitor, SMD, Ceramic, NPO, 50 V	C1608COG1H101J	TDK	0603	1
C7	0.015 μ F	Capacitor, SMD, Ceramic, X7R, 25 V	C1608X7R1E153K	TDK	0603	1
C8	0.1 μ F	Capacitor, SMD, Ceramic, X7R, 25 V	C1608X7R1E104K	TDK	0603	1
C9	2.2 μ F	Capacitor, SMD, Ceramic, X5R, 25 V	C1608X5R1E225M	TDK	0603	1
C10	0.1 μ F	Capacitor, SMD, Ceramic, X7R, 25 V	C1608X7R1E104K	TDK	0603	1
C18	47 μ F	Capacitor, SMD, Ceramic, 6.3 V	C3216X5R0J476M	TDK	1206	1
C21	47 μ F	Capacitor, SMD, Ceramic, 6.3 V	C3216X5R0J476M	TDK	1206	1
C22	47 μ F	Capacitor, SMD, Ceramic, 6.3 V	C3216X5R0J476M	TDK	1206	1
C23	47 μ F	Capacitor, SMD, Ceramic, 6.3 V	C3216X5R0J476M	TDK	1206	1
R1	0 Ω	RES, SMD, 1/10W			0603	1
R2	1 k Ω	RES, SMD, 1/10W			0603	1
R3	10 k Ω	RES, SMD, 1/10W			0603	1
R5	1.1 k Ω	RES, SMD, 1/10W			0603	1
R8	1 M Ω	RES, SMD, 1/10W			0603	1
R9	27 k Ω	RES, SMD, 1/10W			0603	1
R11	10 Ω	RES, SMD, 1/10W			0603	1
R19	0 Ω	RES, SMD, 1/10W			0603	1
L1	720 nH	Inductor, Power	744325072	Würth		1
U1	FAN23SV04T	4 A COT Regulator	FAN23SV04T	Fairchild	MLP 5.5x5	1
J1-J2, J7-J8		Terminal, 15 A, Screw, Vertical, PC Mount	8191	Keystone		4
J10, J12-14, J16-25, J29		Testpin, Gold, 40 mil	3103-2-00-21-00-00-08-0 (DS10P11)	Mill-Max (Young Jin)		15
PCB		PCB, FAN23SV04T EB Rev 0.1, Jan 13				1

Continued on the following page...



Reference	Value	Description	Manufacturer PN	Manufacturer	Case	Qty
Transient Generator						
C16	0.1 μ F	Capacitor, SMD, Ceramic, 25 V, X7R	C1608X7R1E104K	TDK	0603	1
C17	0.1 μ F	Capacitor, SMD, Ceramic, 25 V, X7R	C1608X7R1E104K	TDK	0603	1
C20	22 μ F	Capacitor, SMD, Ceramic, 10 V, X5R	LMK212BJ226MG-T	TAIYO YUDEN	0805	1
R6	1.2 k Ω	Resistor, SMD, 1/10W	ERJ-3EKF1201V	Panasonic	0603	1
R12	499 Ω	Resistor, SMD, 1/10W	ERJ-3EKF4990V	Panasonic	0603	1
R13	10 k Ω	Pot, 0.25W	3266W-1-103LF	Bourns		1
R14	25 k Ω	Pot, 0.25W	3266W-1-253LF	Bourns		1
R15-R16	0.24 Ω	Resistor, SMD, 1W	ERJ-1TRQFR24U	Panasonic	2512	2
R17-R18	10 k Ω	Resistor, SMD, 1/10W	ERJ-3EKF1002V	Panasonic	0603	2
R22-R23	0	Resistor, SMD, 1/10W	ERJ-3GEY0R00V	Panasonic	0603	2
U2	LM555	Timer	LM555CM	Fairchild	SO8	1
U3	FAN3226T	Driver	FAN3226TM	Fairchild	SO8	1
U4	MIC5239	LDO	MIC5239-5.0YS	Micrel	SOT-223	1
J3		Generic 2-Pin SIP .100 Centers				1
J5		Testpin, Gold, 40 mil	3103-2-00-21-00-00-08-0	Mill-Max		1
Q1-Q2	FDMS7658AS	MOSFET	FDMS7658AS	Fairchild	MLP5x6	1
S1	209-2MS	Switch DIP Top Slide Flush 6-POS	209-2MS	CTS	DIP4	1
Q1-Q2	FDMS7658AS	MOSFET	FDMS7658AS	Fairchild	MLP5x6	2



10. Revision History

Rev.	Date	Description
0.0.1	November 2012	Initial draft of FAN23SV04T
0.0.2	March 2013	Updated with changes of FAN23SV04T EB Rev0.1
0.0.3	May 2013	Added PCB structure. Updated schematic & BOM
1.0.0	June 2013	Added EVB# on page.1 & Release
1.1	May 2015	Removed "Integrated TinyBuck" & Changed TOP side picture of PCB layout

WARNING AND DISCLAIMER

Replace components on the Evaluation Board only with those parts shown on the parts list (or Bill of Materials) in the Users' Guide. Contact an authorized Fairchild representative with any questions.

This board is intended to be used by certified professionals, in a lab environment, following proper safety procedures. Use at your own risk. The Evaluation board (or kit) is for demonstration purposes only and neither the Board nor this User's Guide constitute a sales contract or create any kind of warranty, whether express or implied, as to the applications or products involved. Fairchild warrants that its products meet Fairchild's published specifications, but does not guarantee that its products work in any specific application. Fairchild reserves the right to make changes without notice to any products described herein to improve reliability, function, or design. Either the applicable sales contract signed by Fairchild and Buyer or, if no contract exists, Fairchild's standard Terms and Conditions on the back of Fairchild invoices, govern the terms of sale of the products described herein.

DISCLAIMER

FAIRCHILD SEMICONDUCTOR RESERVES THE RIGHT TO MAKE CHANGES WITHOUT FURTHER NOTICE TO ANY PRODUCTS HEREIN TO IMPROVE RELIABILITY, FUNCTION, OR DESIGN. FAIRCHILD DOES NOT ASSUME ANY LIABILITY ARISING OUT OF THE APPLICATION OR USE OF ANY PRODUCT OR CIRCUIT DESCRIBED HEREIN; NEITHER DOES IT CONVEY ANY LICENSE UNDER ITS PATENT RIGHTS, NOR THE RIGHTS OF OTHERS.

LIFE SUPPORT POLICY

FAIRCHILD'S PRODUCTS ARE NOT AUTHORIZED FOR USE AS CRITICAL COMPONENTS IN LIFE SUPPORT DEVICES OR SYSTEMS WITHOUT THE EXPRESS WRITTEN APPROVAL OF THE PRESIDENT OF FAIRCHILD SEMICONDUCTOR CORPORATION.

As used herein:

1. Life support devices or systems are devices or systems which, (a) are intended for surgical implant into the body, or (b) support or sustain life, or (c) whose failure to perform when properly used in accordance with instructions for use provided in the labeling, can be reasonably expected to result in significant injury to the user.
2. A critical component is any component of a life support device or system whose failure to perform can be reasonably expected to cause the failure of the life support device or system, or to affect its safety or effectiveness.

ANTI-COUNTERFEITING POLICY

Fairchild Semiconductor Corporation's Anti-Counterfeiting Policy. Fairchild's Anti-Counterfeiting Policy is also stated on our external website, www.fairchildsemi.com, under Sales Support.

Counterfeiting of semiconductor parts is a growing problem in the industry. All manufacturers of semiconductor products are experiencing counterfeiting of their parts. Customers who inadvertently purchase counterfeit parts experience many problems such as loss of brand reputation, substandard performance, failed applications, and increased cost of production and manufacturing delays. Fairchild is taking strong measures to protect ourselves and our customers from the proliferation of counterfeit parts. Fairchild strongly encourages customers to purchase Fairchild parts either directly from Fairchild or from Authorized Fairchild Distributors who are listed by country on our web page cited above. Products customers buy either from Fairchild directly or from Authorized Fairchild Distributors are genuine parts, have full traceability, meet Fairchild's quality standards for handling and storage and provide access to Fairchild's full range of up-to-date technical and product information. Fairchild and our Authorized Distributors will stand behind all warranties and will appropriately address any warranty issues that may arise. Fairchild will not provide any warranty coverage or other assistance for parts bought from Unauthorized Sources. Fairchild is committed to combat this global problem and encourage our customers to do their part in stopping this practice by buying direct or from authorized distributors.

EXPORT COMPLIANCE STATEMENT

These commodities, technology, or software were exported from the United States in accordance with the Export Administration Regulations for the ultimate destination listed on the commercial invoice. Diversion contrary to U.S. law is prohibited.

U.S. origin products and products made with U.S. origin technology are subject to U.S. Re-export laws. In the event of re-export, the user will be responsible to ensure the appropriate U.S. export regulations are followed.