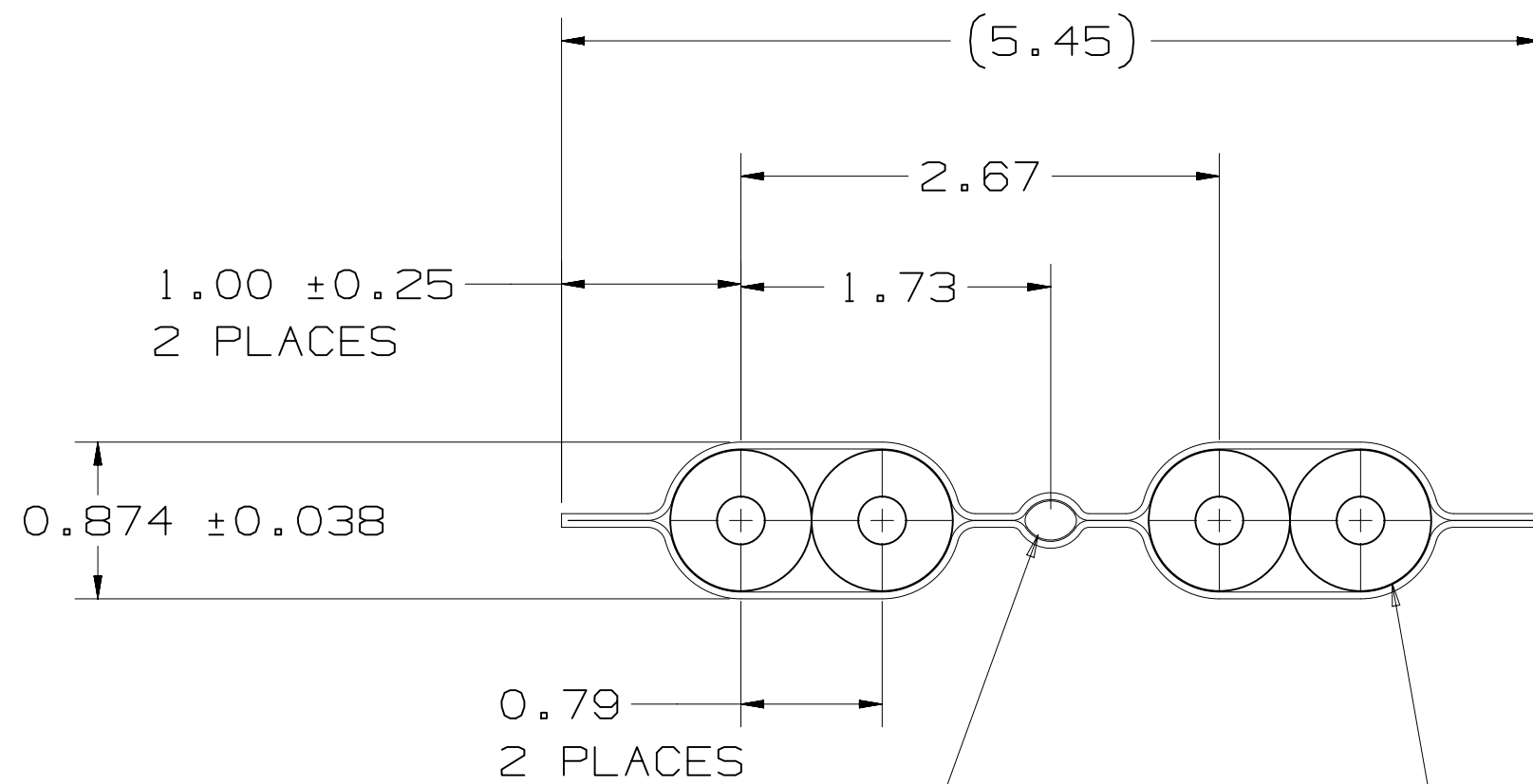


# 3M™ TWIN AXIAL CABLE, SL8800 SERIES

## NOTES

- 1 DIMENSIONS ARE IN MILLIMETERS.
- 2 PHYSICAL:  
 COLOR: SILVER  
 MARKING:  
 3M (part number) 30 AWG (signal plating) (lot code)  
 EXAMPLE:  
 3M SL8802/04-10DN5-00 30 AWG SILVER TW602-1
- 3 ELECTRICAL:  
 IMPEDANCE: 100 ±5 OHMS
- 4 PRODUCT SPECIFICATION NUMBER:  
 PS-0105
- 5 REGULATORY INFORMATION:  
 ROHS COMPLIANT. SEE THE REGULATORY INFORMATION APPENDIX (RIA) IN THE "ROHS COMPLIANCE" SECTION OF WWW.3MCONNECTORS.COM FOR COMPLIANCE INFORMATION (RIA E1 & C1 APPLY)  
  
 UL FILE NUMBER: E42769
- 6 THE OUTER SURFACE OF THE RIBBON CABLE HAS A METALLIC APPEARANCE, BUT IS NOT CONDUCTIVE. THERE IS A TRANSLUCENT POLYESTER OUTER LAYER OVER AN ALUMINUM SHIELDING LAYER, WHICH GIVES THIS APPEARANCE.  
  
 THE THIN ALUMINUM SHIELDING LAYER IS EXPOSED AT THE RIBBON EDGE. USERS SHOULD ASSESS WHETHER THE EXPOSED EDGE PRESENTS A SHORTING RISK IN THEIR SPECIFIC APPLICATION. INSULATING TAPE MAY BE APPLIED AT THE CABLE ASSEMBLY LEVEL, AS NEEDED, TO COVER THE EXPOSED EDGE IN RISK AREAS.
- 7 FOIL AND INSULATOR STRIPPING BLADE DESIGN DRAWINGS ARE AVAILABLE UPON REQUEST.  
 TOOLING REFERENCE NUMBER:  
 NU14A2



GROUND WIRE:  
 30 AWG SOLID (Ø 0.254 [ .0100 ])  
 TIN PLATED COPPER

SIGNAL WIRES:  
 30 AWG SOLID (Ø 0.254 [ .0100 ])  
 SILVER OR TIN PLATED COPPER  
 Ø 0.787 [ .0310 ]  
 POLYOLEFIN INSULATION  
 4 PLACES

SIGNAL WIRE PLATING OPTION	3M PART NUMBER
SILVER	SL8802/04-10DN5-00
TIN	SL8802/04-11DN5-00

DESIGN REFERENCE	NEXT ASSEMBLY
DISTRIBUTION CODES	
DIVISION	DIVISION CODE
DO NOT SCALE DRAWING	SCALE 25/1
THIRD ANGLE PROJECTION	TOLERANCES EXCEPT AS NOTED
INTERPRET PER ASME Y14.5 - 1994	INCHES
MAX SURFACE ROUGHNESS 125	MILLIMETERS
ALL SURFACES MARKED ONLY	ANGLES ± 1°

REV A	ECO	ISSUE DATE AND DESCRIPTION	DRFT	CHKD
37561		JAN 25, 2012	LDS	MML
		INITIAL RELEASE		
DATE	DATE	DATE	DATE	DATE
MAR 07, 2011	MAR 07, 2011	JAN 24, 2012		
DRFT ARM	DATE	DATE	DATE	DATE
M LETTANG	JAN 24, 2012			
		© 3M COPYRIGHT 2012 This document and the information it contains are 3M property and may not be reproduced or further distributed without 3M permission, or used or disclosed other than for 3M authorized purposes. All rights reserved.		
TITLE				
SL8802/04-1XDN5-00, 100 OHM, 30 AWG, 2PR				
CAGE NUMBER	SIZE	DRAWING NO.	REV.	
C		78-5100-2401-7	A	
MODEL	DET. LISTS	YES	NO	SHT 1 OF 1