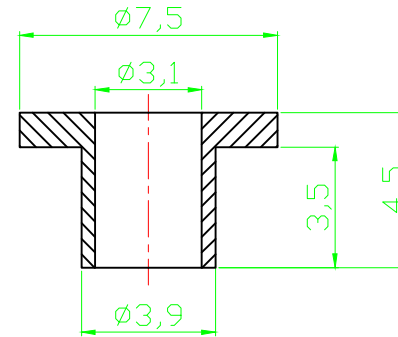


RoHS compliant



Notes
 Material:SR25
 Dielectric strength: 380kV/cm
 Heat resistance:215°C
 Tensile strength: 80N/mm

Scale	1:1					Date	Name	Customer-No.	
TOLERANCE						Drawn	20.08.2009	Dean	
X.	$\pm X$					Approved	10.03.2010	Andy	
X.X	$\pm X$								
X.XX	$\pm X$								
DIM	TOL	②	Modify drawing layout	10.03.2010	Dean			Drawing-No.	
X.°	$\pm X^\circ$							ASS 0400 HS	rev02
X.X°	$\pm X^\circ$	①	Drawn	20.08.2009	Dean			Replace	Sheet
Angle	TOL	Id.	Modification	Date	Name				

ASSMANN WSW-No. V5358

