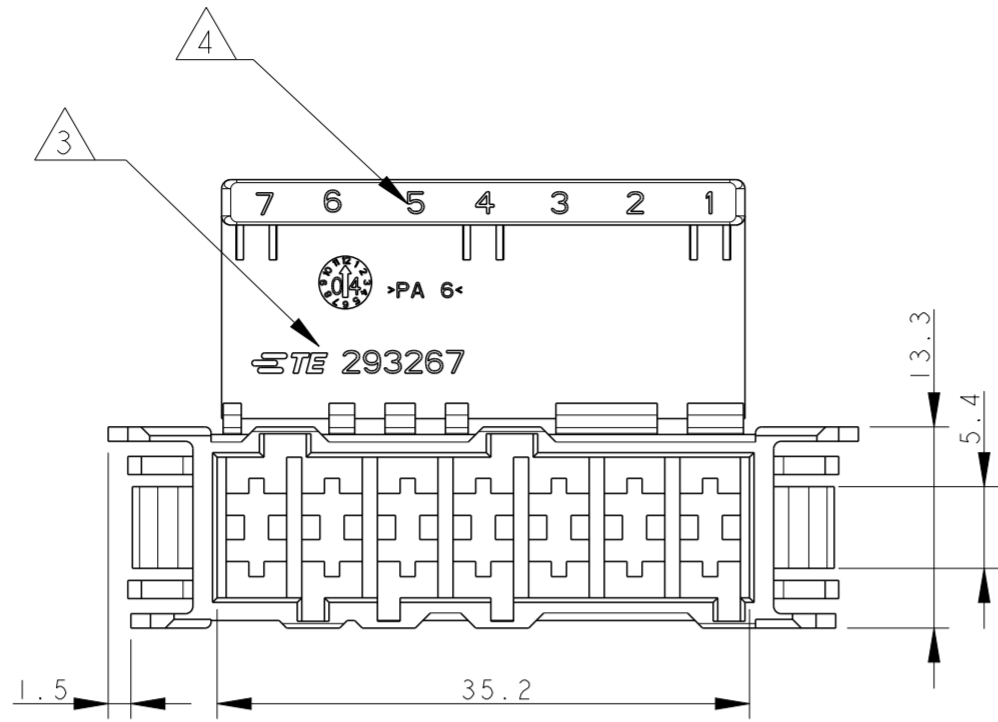
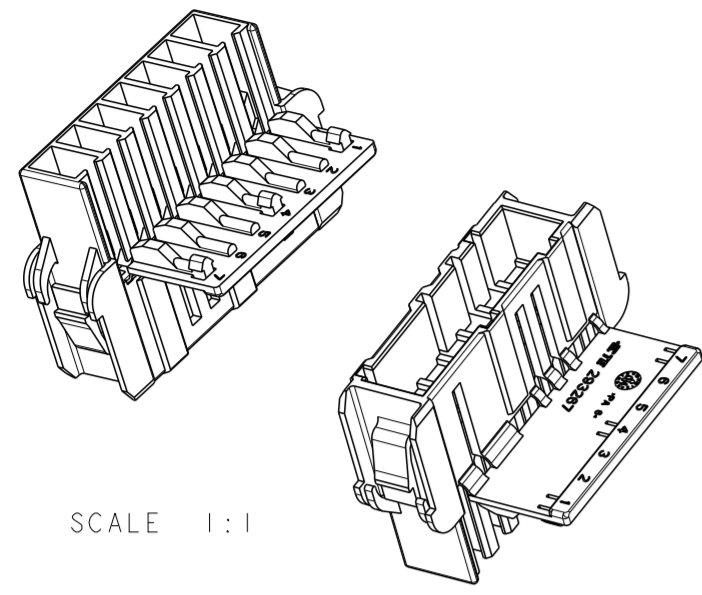
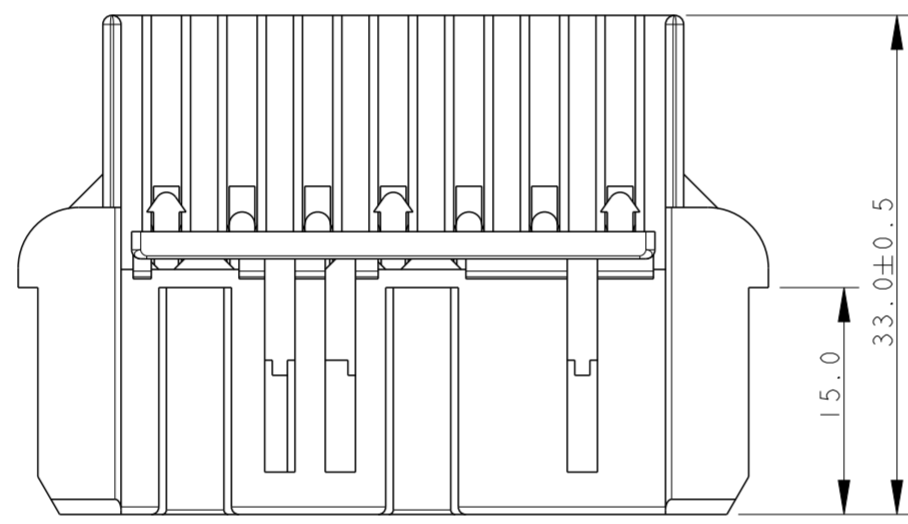
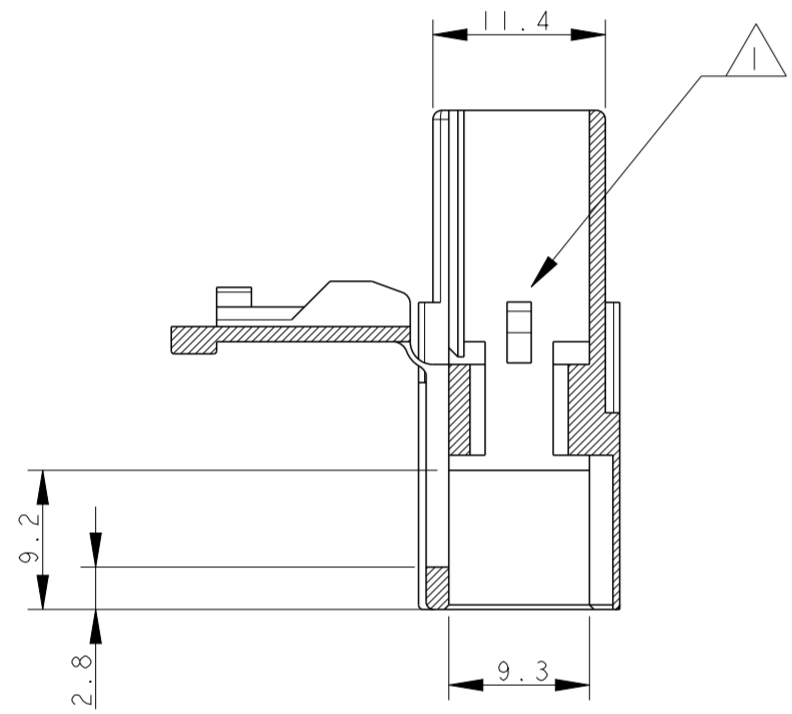


THIS DRAWING IS UNPUBLISHED. RELEASED FOR PUBLICATION 20  
 © COPYRIGHT 20 BY - ALL RIGHTS RESERVED.

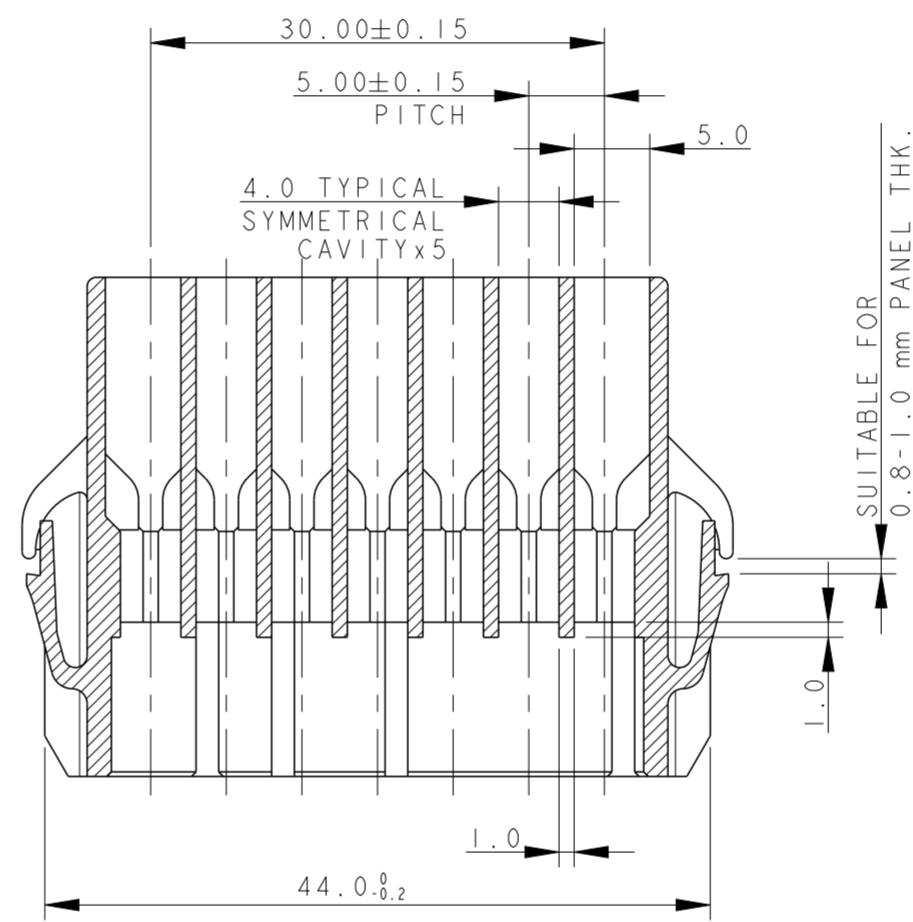
REVISIONS					
P	LTR	DESCRIPTION	DATE	DWN	APVD
	A4	ECR-16-013321	23SEP2016	KD	RR



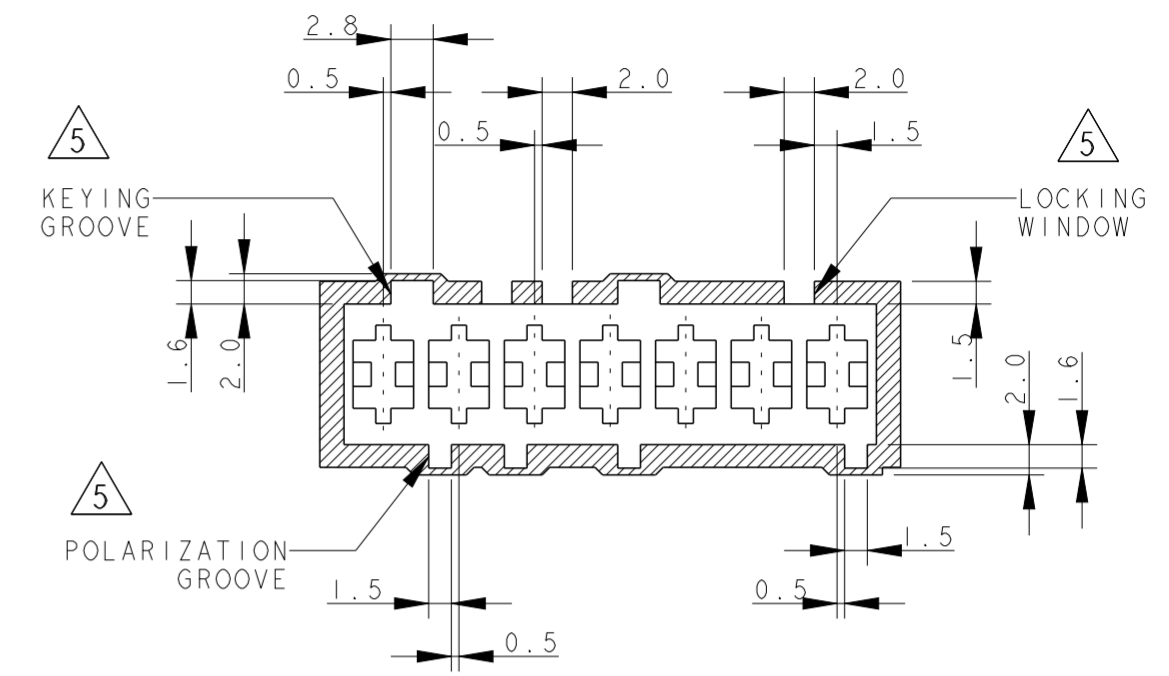
SECTION B-B



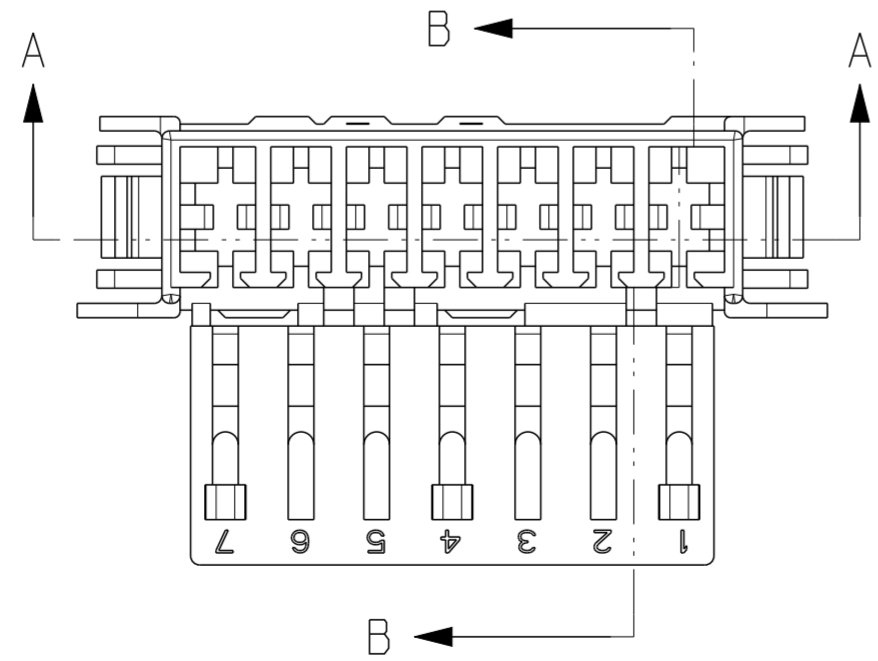
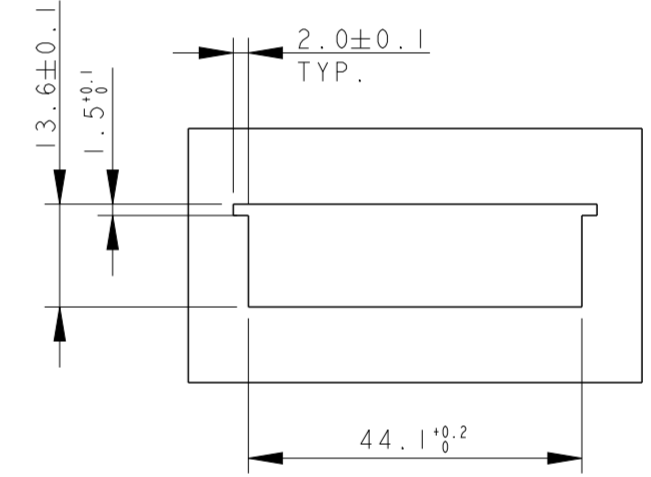
SECTION A-A



POLARIZATION KEYS SCHEME



CUTOUT PANEL DIMENSIONS THK. 0.8-1.0 SCALE 1:1



- 1) TYPICAL CAVITY SUITABLE FOR: FASTIN-FASTON TAB CONTACTS 6.3 mm SRS.
- 2) PA UNFILLED, UL94-V2, ACCORDING TO IEC 60335-1, GWT 750°C NO FLAME.
- 3) TE TRADEMARK "LOGO" AND TE CONNECTIVITY "PART NUMBER" OPTIONAL POSITION.
- 4) CIRCUIT IDENTIFICATION NUMBERS, 1 TO 7.
- 5) POLARIZATION KEYS DIMENSIONS AND POSITIONS ARE ACCORDING TO "RAST 5" NORM.
- 6) CONNECTOR HOUSING SUITABLE FOR MATION WITH:  
 - AMP MONOSHAP MARK I TAB CONN. P/N: 1-293004-7  
 - AMP MONOSHAP MARK II TAB CONN. P/N: X-284477-2
- 7) PA66 UNFILLED, UL94-V0, ACCORDING TO IEC 60335-1 GWT 750°C NO FLAME.
- 8) PRELIMINARY - NOT FOR PRODUCTION

NOTE	WEIGHT	COLOUR	MATERIAL	TYCO P/N	REV
PA66	9.28 GR	NATURAL	SEE NOTE 7	293267-2	A
PA 6	9.18 GR	NATURAL	SEE NOTE 2	293267-1	A

THIS DRAWING IS A CONTROLLED DOCUMENT.		DWN H. Yaqli 09JAN2007	TE Connectivity NAME 7 POS. FASTIN-FASTON* TAB HOUSING RAST 5, PANEL MOUNT VERSION		
DIMENSIONS: mm		CHK H. Yaqli 09JAN2007			
TOLERANCES UNLESS OTHERWISE SPECIFIED:		APVD G. Turco	SIZE A200779		
0 PLC ±		PRODUCT SPEC	CAGE CODE C-293267		
1 PLC ±0.3		APPLICATION SPEC	DRAWING NO		
2 PLC ±		WEIGHT	RESTRICTED TO		
3 PLC ±		CUSTOMER DRAWING	SCALE 2:1 SHEET 1 OF 1 REV A4		
4 PLC ±					
ANGLES ±1°					
FINISH					
MATERIAL SEE NOTE					