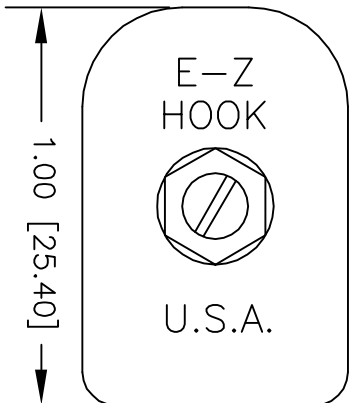


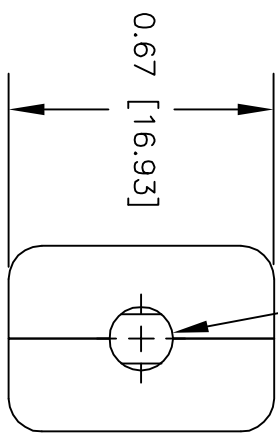
NOTES: UNLESS OTHERWISE SPECIFIED

1. CONSTRUCTION:
HOUSING: MOLDED NYLON. AVAILABLE IN BLACK.
2. PERFORMANCE:
MAXIMUM CURRENT: XX
MAXIMUM VOLTAGE: XX
MAXIMUM TEMPERATURE: XX
3. FEATURES:
BUILT IN STRAIN RELIEF.

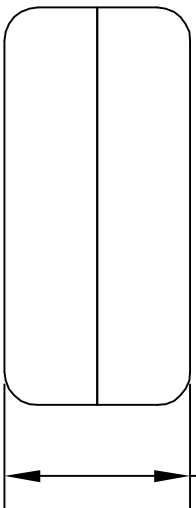
LTR	DESCRIPTION	REVISIONS	DATE	APPROVED



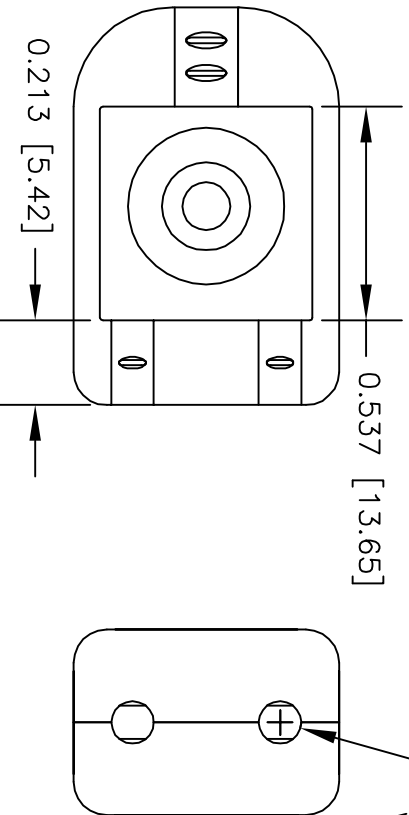
0.160 [4.06]
CABLE EXIT HOLE



0.467 [11.85]



0.107 [2.71]
WIRE EXIT HOLE



ACTUAL SIZE



UNLESS OTHERWISE SPECIFIED DIMENSIONS ARE IN INCHES TOLERANCES ARE: FRACTIONS DECIMALS ANGLES		CONTRACT NO.		DESCRIPTION	
±	.XX ±	±	APPROVALS	DATE	EZ-HOOK DIVISION OF TEKTEST INC. ARCADIA, CA 91006 U.S.A.
±	.XXX ±	±	DRAWN	R.L. 10/10	
MATERIAL SEE NOTE.		APPROVED BY			
FINISH SEE NOTE.		APPLICATION		DO NOT SCALE DRAWING	IN-LINE Y BLOCK FOR MINIATURE CABLE
NEXT ASSY	USED ON	SCALE		2:1	SIZE CODE IDENT NO. DRAWING NO.
		A		08505	Y3000
		SHEET 1 OF 1			REV.

THE INFORMATION CONTAINED IN THIS DOCUMENT IS PROPRIETARY TO EZ-HOOK. THE INFORMATION IS NOT TO BE REPRODUCED WITHOUT PRIOR WRITTEN PERMISSION OF EZ-HOOK. DIV. OF TEKTEST INC. MAXIMUM TESTED RATINGS IN A HANDS-FREE CONTROLLED ENVIRONMENT. MAXIMUM RATINGS ARE NOT TO BE USED CONCURRENTLY.