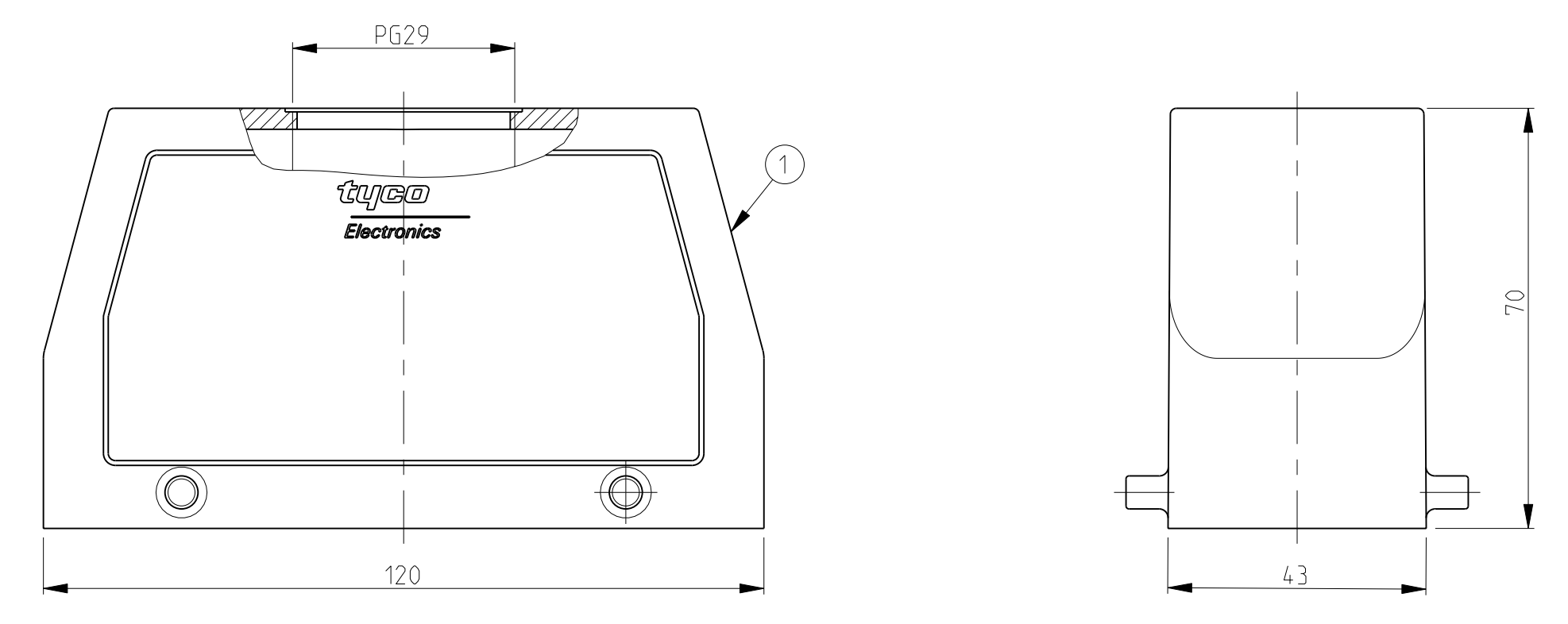
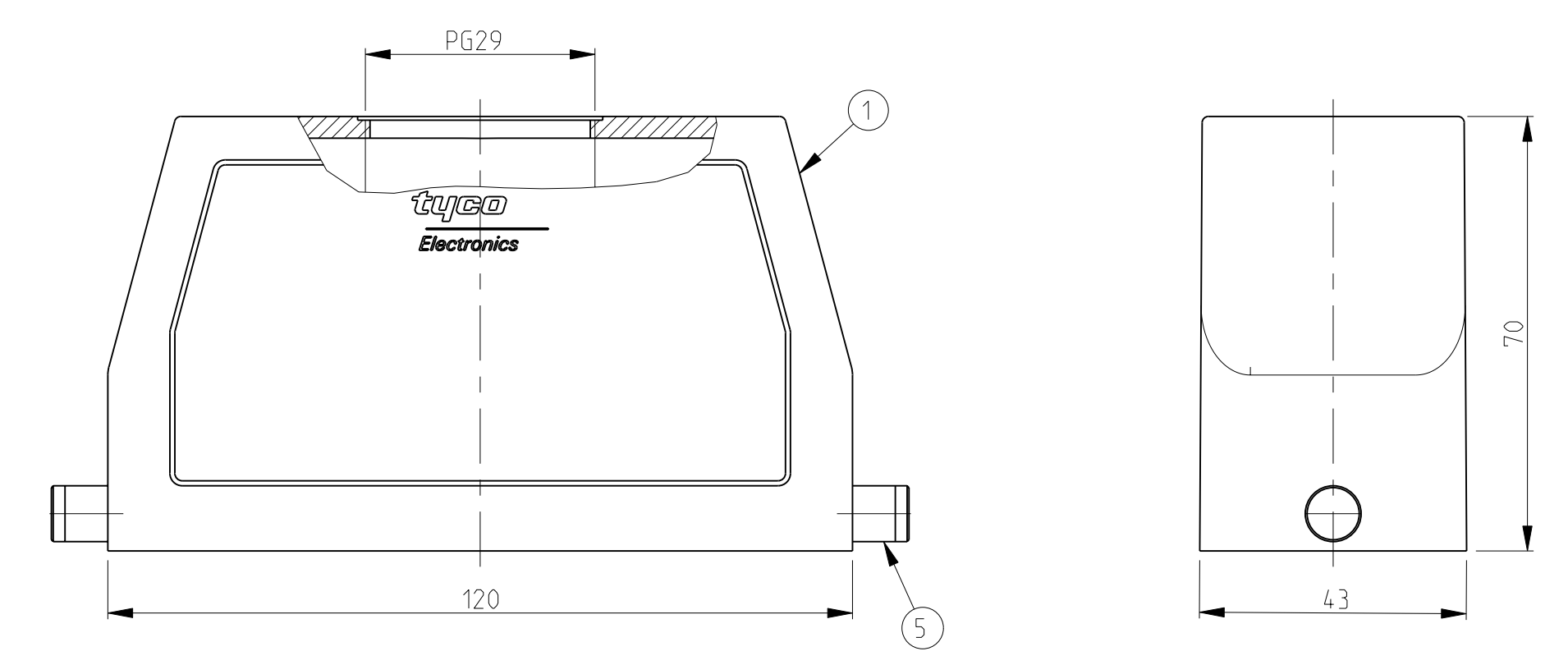


LOC	DIST	REVISIONS			
P	LTR	DESCRIPTION	DATE	DWN	APVD
A2		Released as per ECR-07-019955	22.08.07	SK	TS

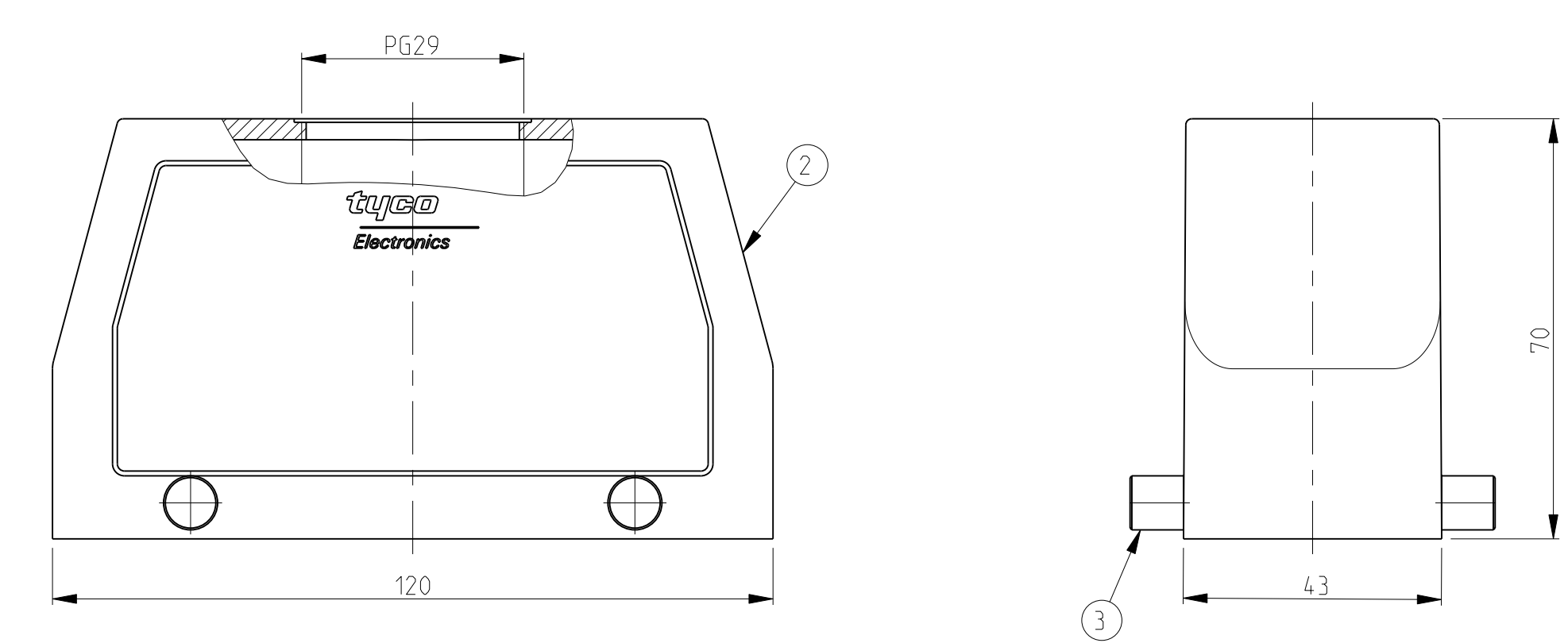
PN 1-6



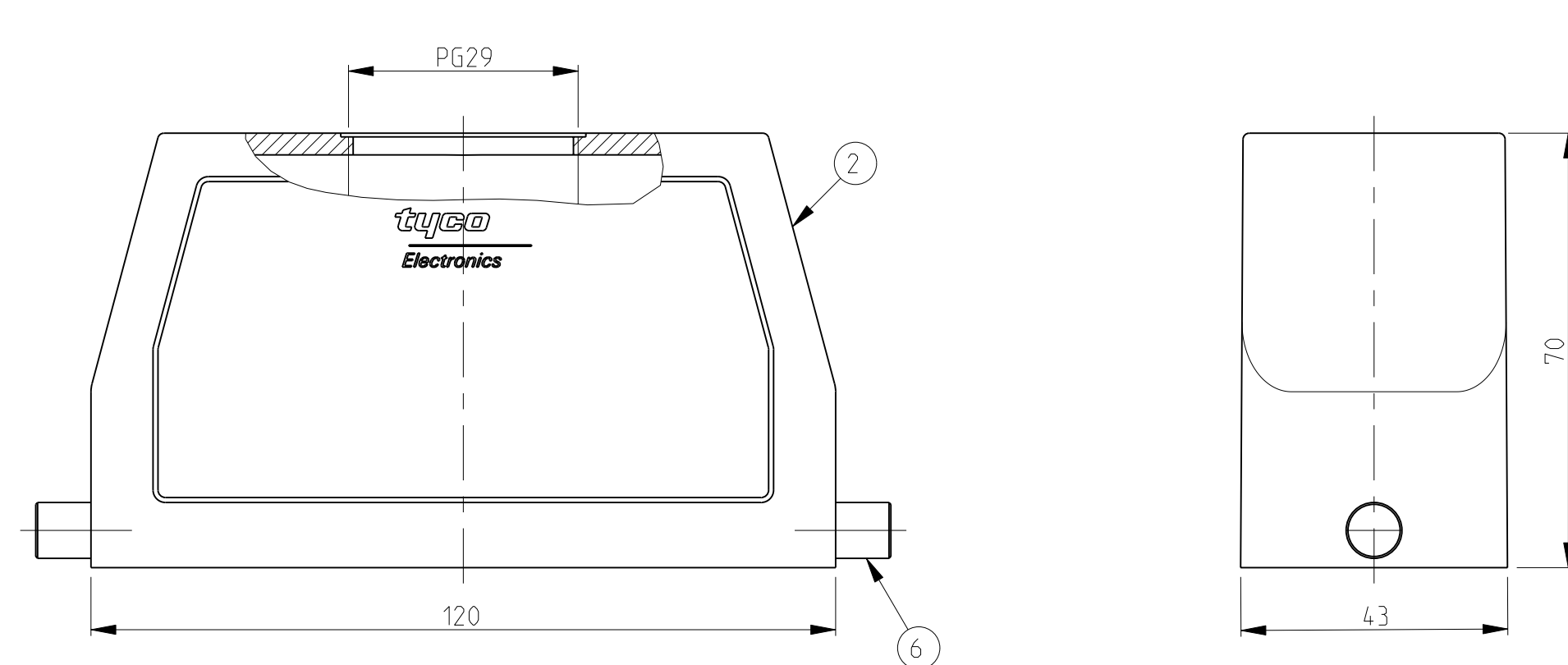
PN 1-7



PN 2-6

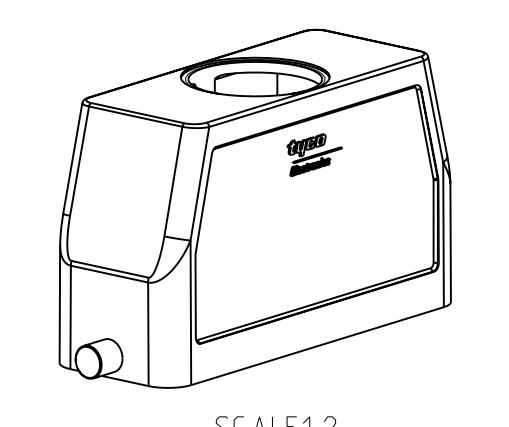


PN 2-7

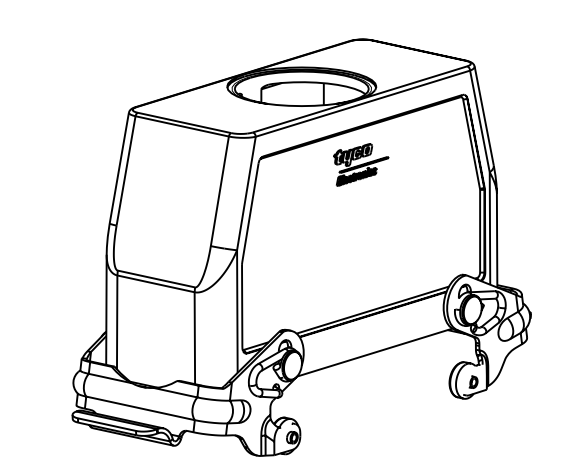


- NOTES.
- 1 Material:Housing:Aluminium Diecasting Alloy
  - 2 Surface:Varnish grey  
-Aluminium oxide+  
Varnish black
  - 3 Varnish on the inside not necessary
  - 4 Packaging  
Quantity 5 Pieces in a box

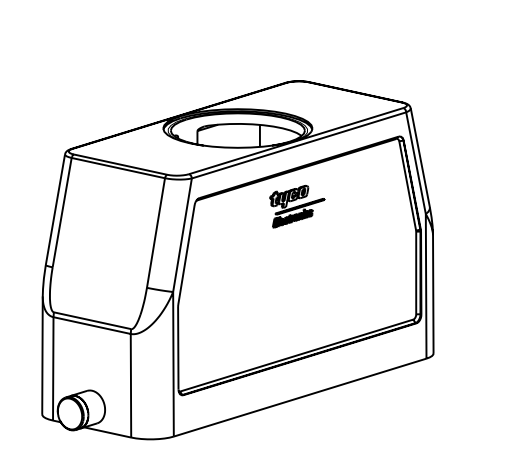
PN 2-7



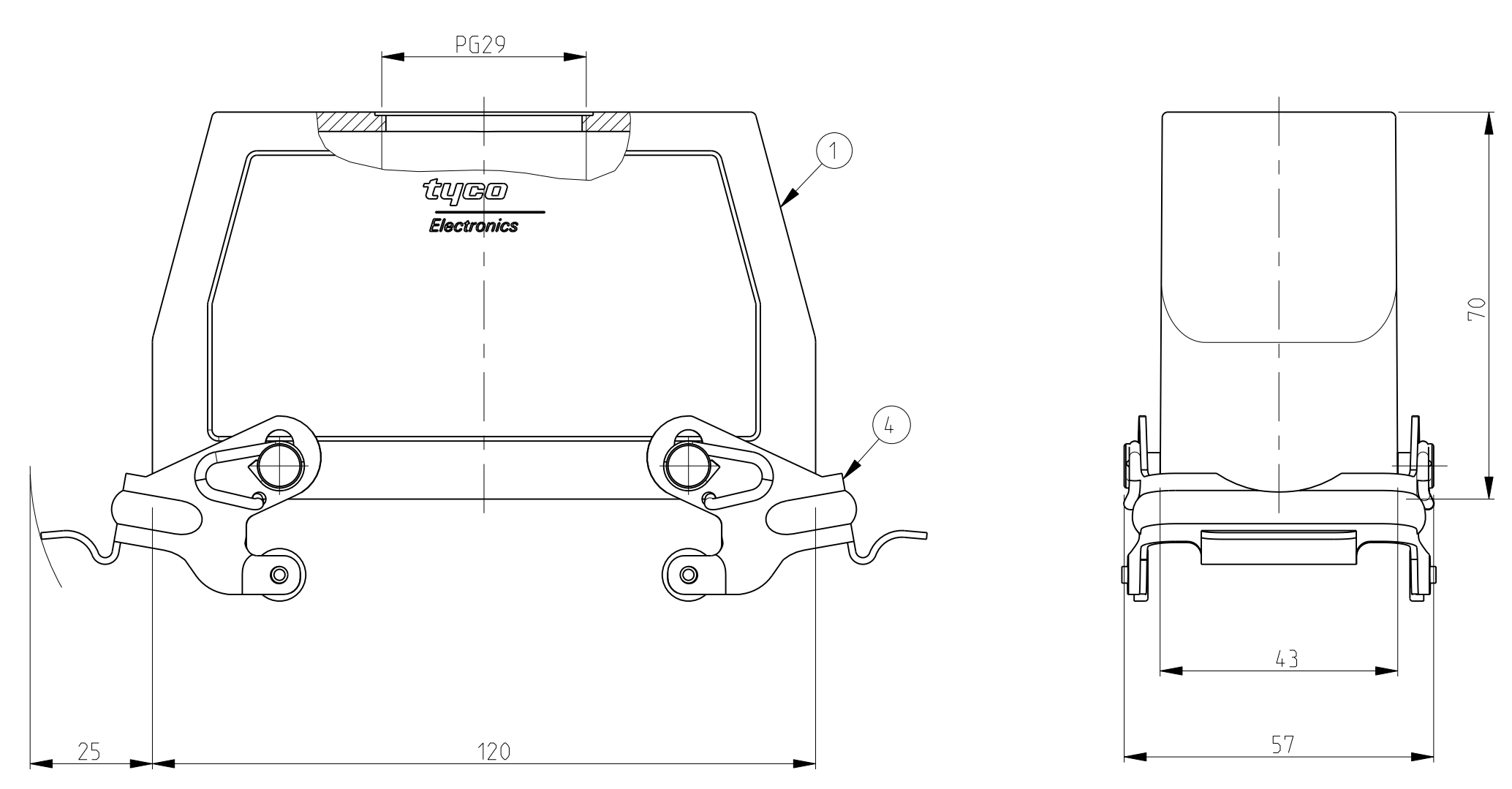
PN 1-1



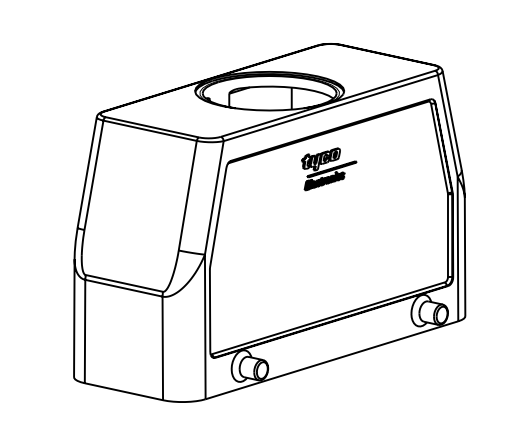
PN 1-7



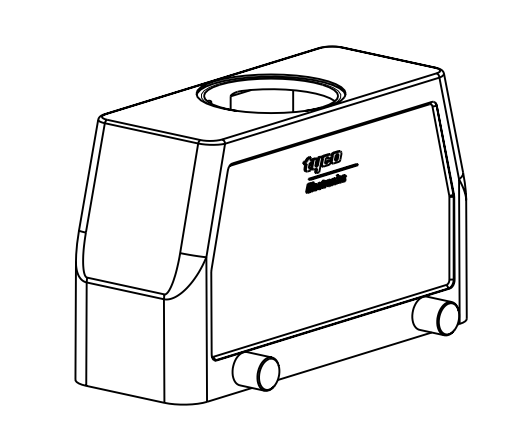
PN 1-1



PN 1-6



PN 2-6



QTY	DESCRIPTION	MATERIAL	SURFACE	COLOR	ITEM NO	REMARKS	
2	LB-Clip bolt	Stainless steel	Blank	-	6		
2	LB-Clip bolt	Steel	Zinc plated	Blue	5		
-	2	VS-Side clip	Steel	Zinc plated	Blue	4	
-	4	VS-Clip bolt	Stainless steel	Blank	-	3	
1	HB-K Hood	Aluminium	Aluminium oxide	Black	2		
-	1	1	HB Hood	Aluminium	-	Grey	1

ORDERING TEXT  
 HB.24.STO.1.29.G  
 HB-K.24.STO.1.29.G  
 HB.24.STO-VS.1.29.G  
 HB.24.STO-GR.1.29.G  
 HB-K.24.STO-GR.1.29.G

DIMENSIONS: mm TOLERANCES UNLESS OTHERWISE SPECIFIED: 0 TO 100 mm ± 0.10 100 TO 150 mm ± 0.15 150 TO 200 mm ± 0.20 200 TO 300 mm ± 0.30 300 TO 400 mm ± 0.40 400 TO 500 mm ± 0.50 ANGLES ± 0.5°		DWN: 30.01.2003 CHK: 30.01.2003 APVD: - NAME: - PRODUCT SPEC: 108-74001 108-74003 APPLICATION SPEC: 114-74001 114-74004 WEIGHT: - FINISH: -	Tyco Electronics Tyco Electronics AMP GmbH D-53819 Neunkirchen, Germany NAME: Hood HB.24.STO.1.29.G SIZE: A   00779 CAGE CODE: C=1102328 DRAWING NO: - RESTRICTED TO: - SCALE: 1:1 SHEET: 1 OF 1 REV: A2
---	--	--	---