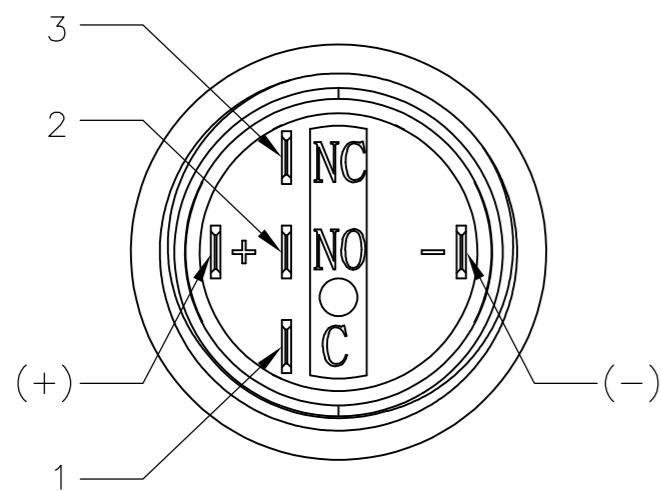
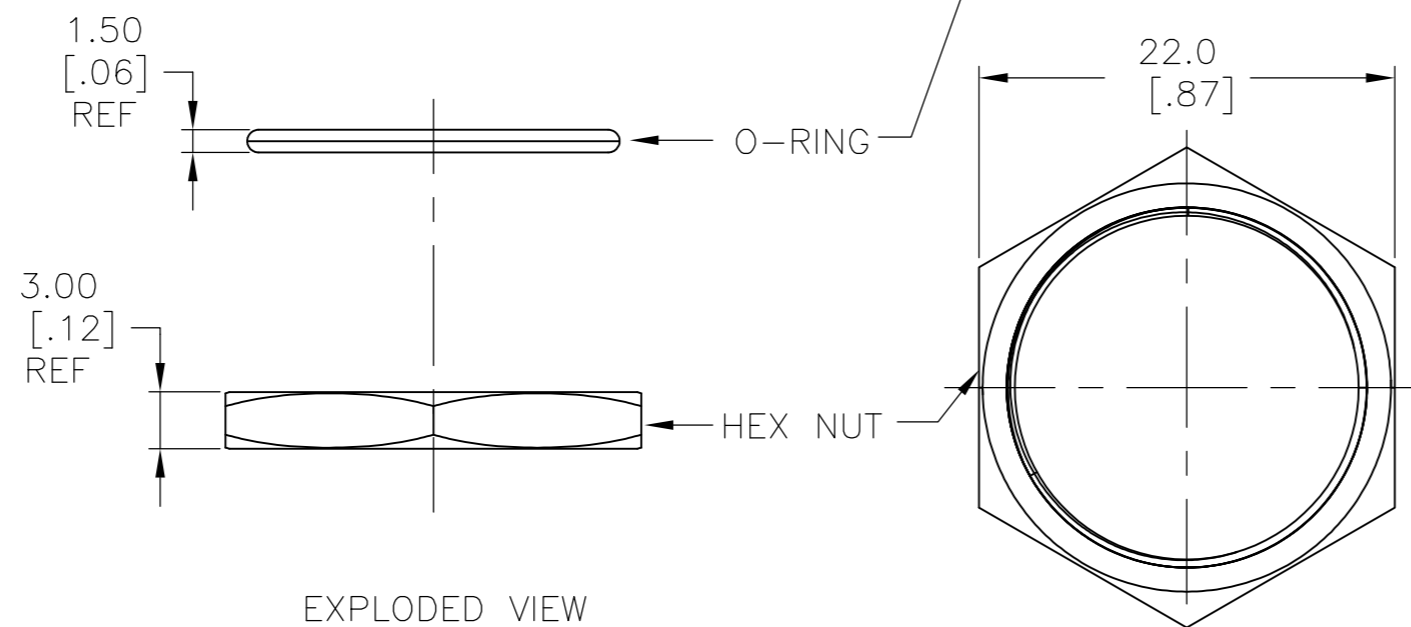
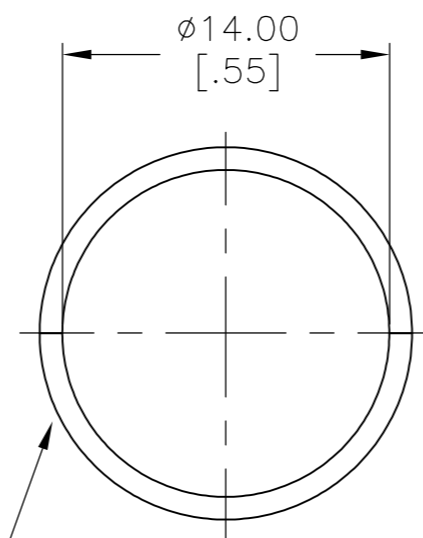
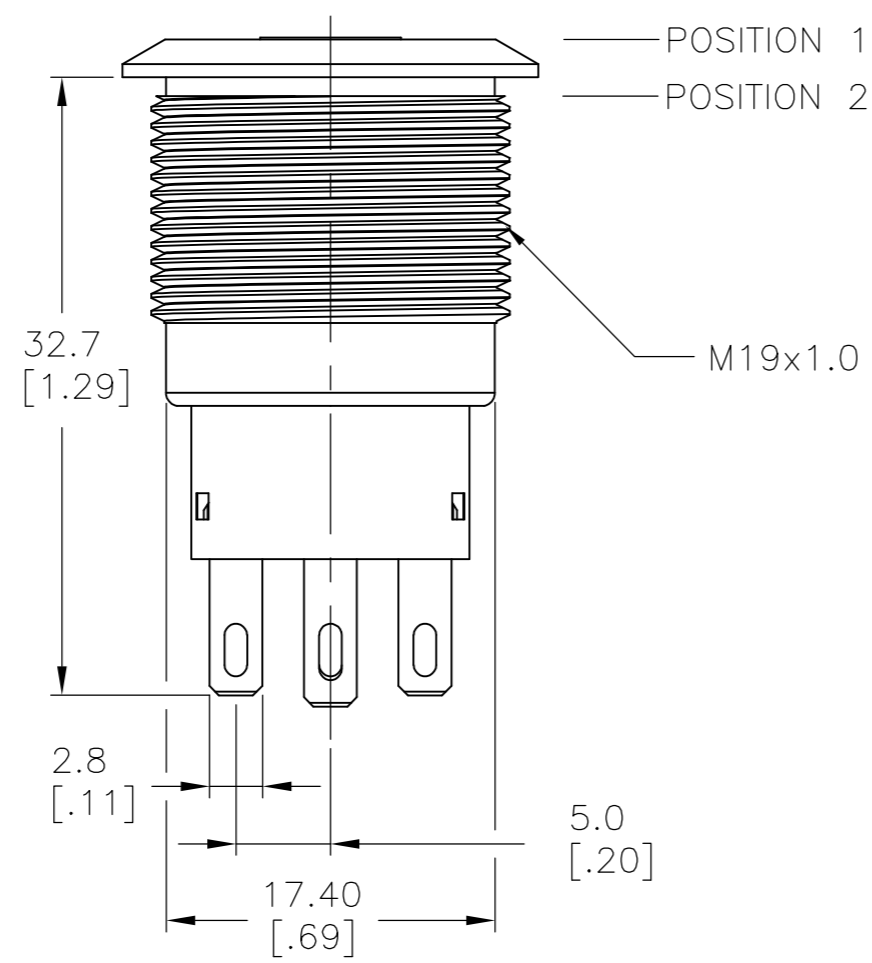
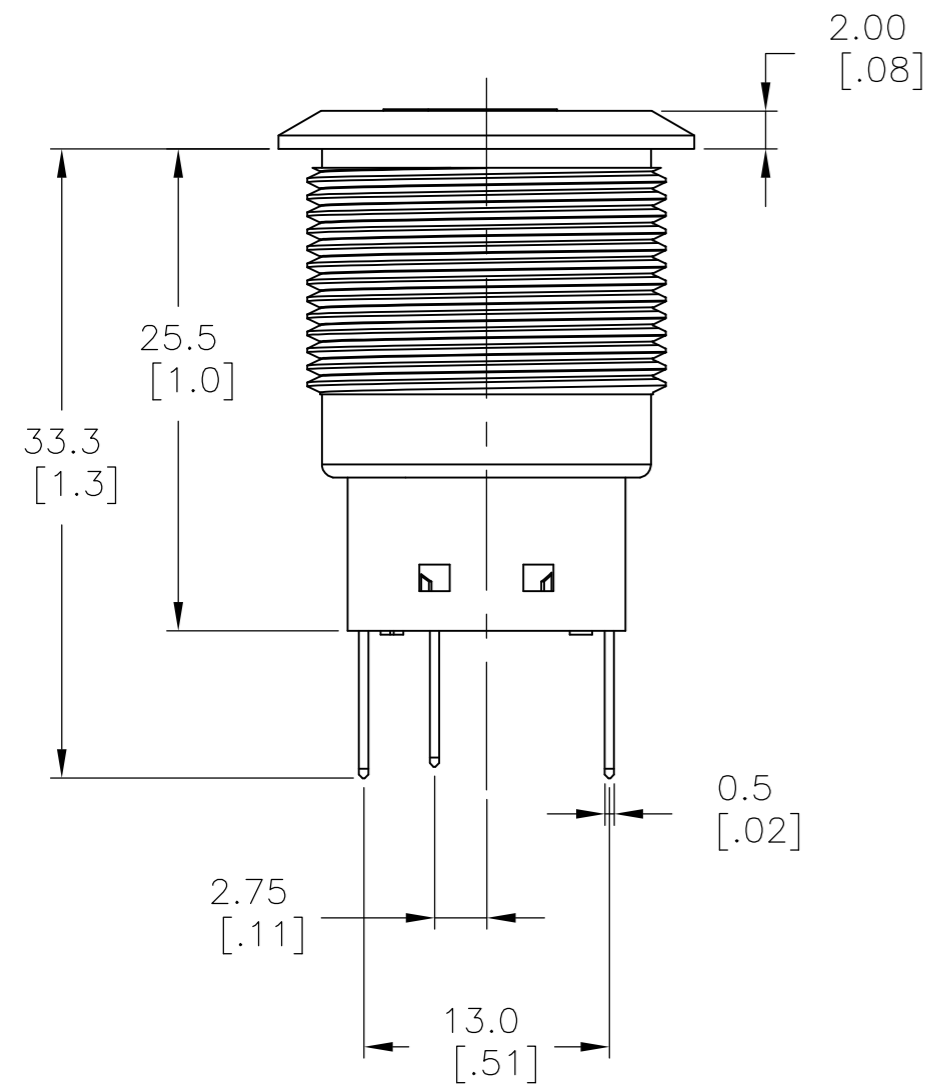
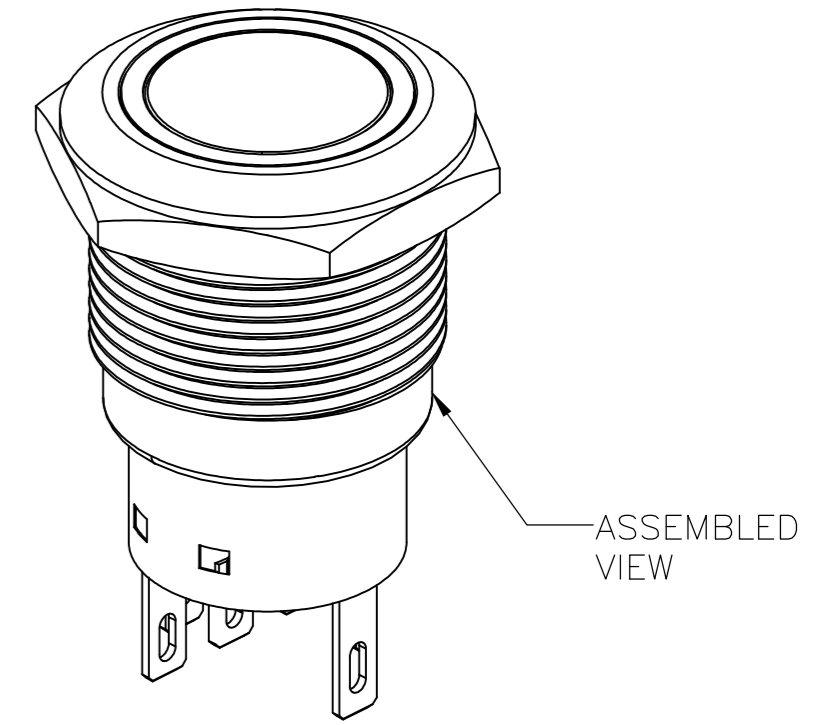
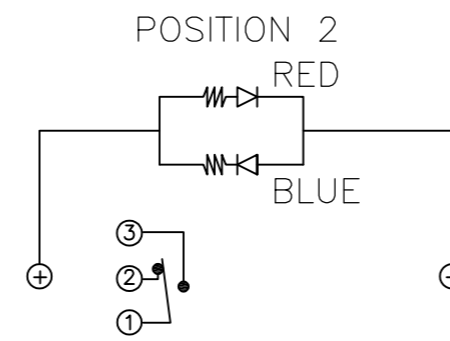
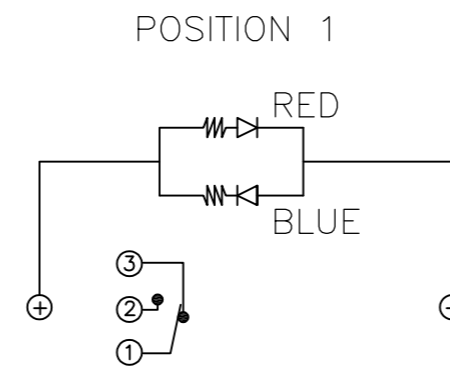
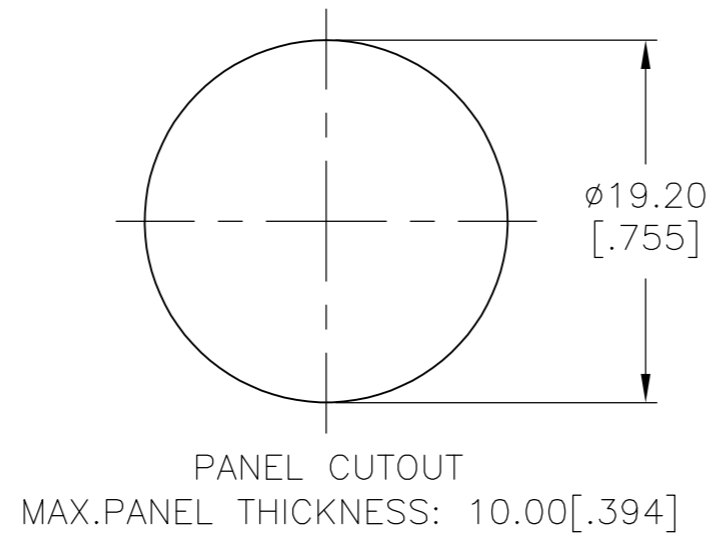
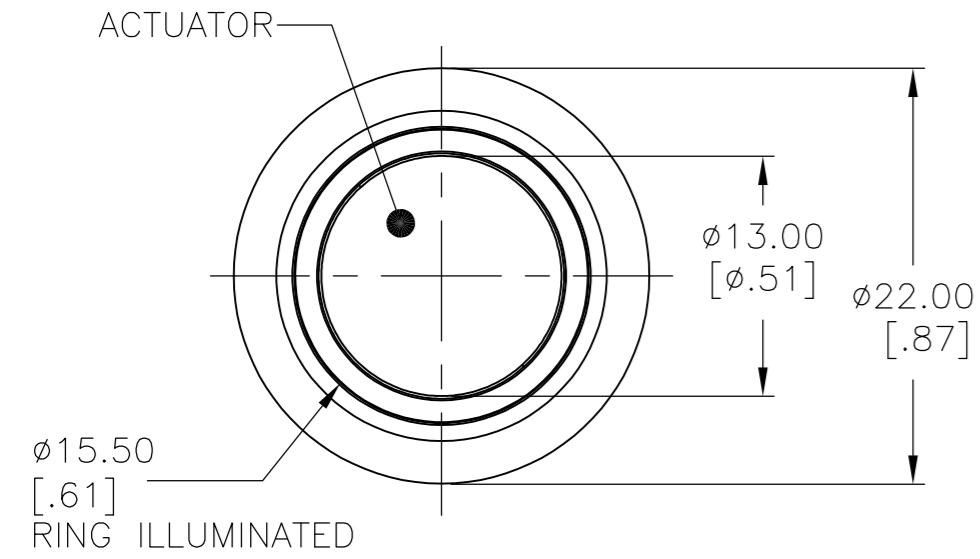


THIS DRAWING IS UNPUBLISHED. RELEASED FOR PUBLICATION
 © COPYRIGHT - By - ALL RIGHTS RESERVED.

REVISIONS					
P	LTR	DESCRIPTION	DATE	DWN	APVD
A		INITIAL RELEASE	13MAR2017	SK	SS

SINGLE POLE SWITCH WITH DUAL COLOR LED's



SPECIFICATION:
 CONTACT RATING: SILVER; 3A @ 250VAC RESISTIVE
 GOLD; 0.4A @ 20VDC OR PEAK AC
 INSULATION RESISTANCE: 1,000MΩ MIN AT 500VDC
 DIELECTRIC STRENGTH: 2,000V RMS @ SEA LEVEL
 CONTACT RESISTANCE: 50mΩ MAX @ 1A 12VDC (INITIAL VALUE), SOLDER TERMINALS
 100mΩ MAX @ 1A 12VDC (INITIAL VALUES), FLYING LEADS.
 ELECTRICAL LIFE CYCLES: 50,000 MAKE AND BREAK CYCLES AT FULL LOAD.
 ACTUATION FORCE: SP: 2.5±1 NEWTON. DP: 3.5±1 NEWTON
 ACTUATION TRAVEL: 3.2MM
 SEALED PER IP67, IK10 (STAINLESS)
 OPERATING TEMPERATURE: -20°C TO +55°C
 MECHANICAL LIFECYCLES: MOMENTARY; 1,000,000 CYCLES
 LOCKING; 500,000 CYCLES
 HARDWARE TORQUE: 5-14 N-m.

MATERIALS
 BUSHING: STAINLESS STEEL,
 BASE: PBT (UL 94-V0), PC (UL 94-V2),
 ACTUATOR: STAINLESS STEEL, PC
 SEALING: O-RING (SILICONE),
 TERMINAL/CONTACT: COPPER BASE, SILVER/GOLD PLATED,
 HEX NUT: BRASS BASE, NICKEL PLATED,
 WIRE:UL3385.

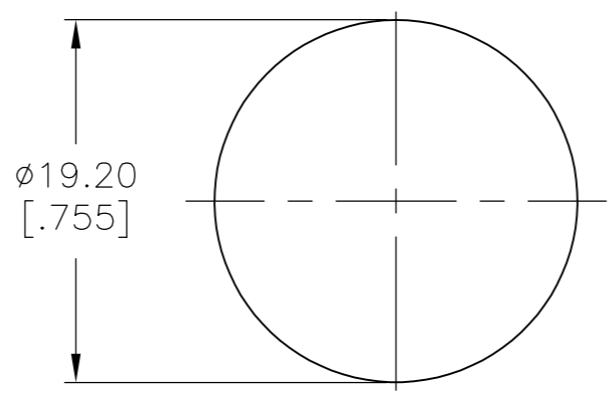
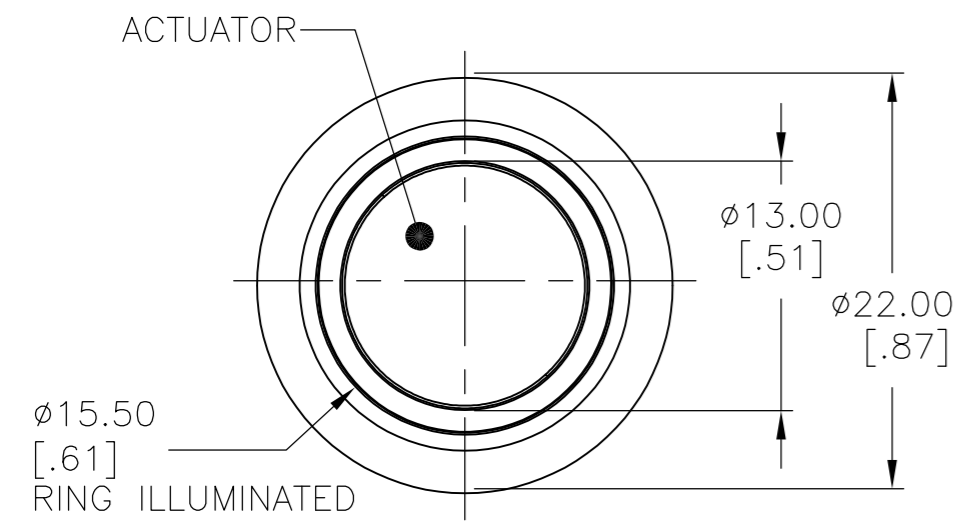
1. ALL MATERIAL AND FINISHES SHALL COMPLY WITH EU DIRECTIVE 2002/95/EC OF 27JAN2003(ROHS).

THIS DRAWING IS A CONTROLLED DOCUMENT.		DWN SHIVAKUMAR S S	13MAR2017		
DIMENSIONS: mm [INCHES]		CHK SANJAY SHINDIKAR	13MAR2017		
TOLERANCES UNLESS OTHERWISE SPECIFIED:		APVD SANJAY SHINDIKAR	13MAR2017	NAME ANTI-VANDAL SWITCH 19mm DUAL COLOR LED, FLYING LEADS WITH MOVING RING	
0 PLC ± -	1 PLC ± 0.4[016]	PRODUCT SPEC		SIZE	RESTRICTED TO
2 PLC ± 0.25[010]	3 PLC ± -	APPLICATION SPEC		CAGE CODE	
4 PLC ± -	ANGLES ± 2°			DRAWING NO	
MATERIAL	FINISH	WEIGHT	0	A2 00779	C=2316531
		CUSTOMER DRAWING	SCALE	1:1	SHEET
				1 OF 5	REV
				A	

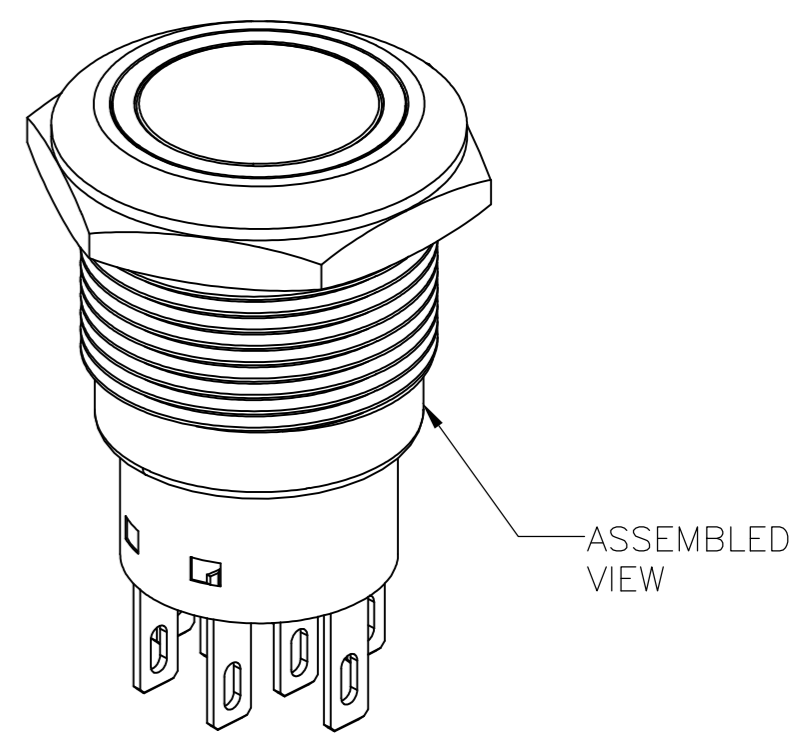
THIS DRAWING IS UNPUBLISHED. RELEASED FOR PUBLICATION
 © COPYRIGHT - By - ALL RIGHTS RESERVED.

REVISIONS					
P	LTR	DESCRIPTION	DATE	DWN	APVD
-	-	SEE SHEET 1	-	-	-

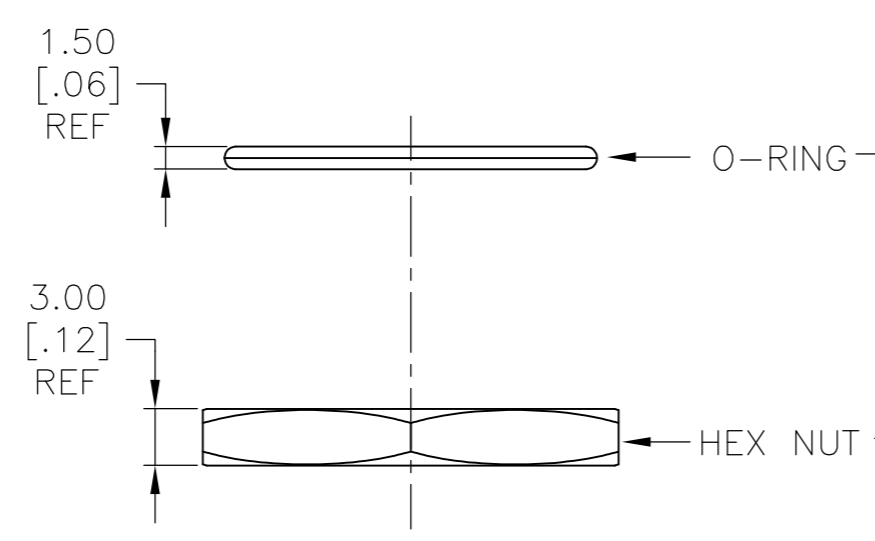
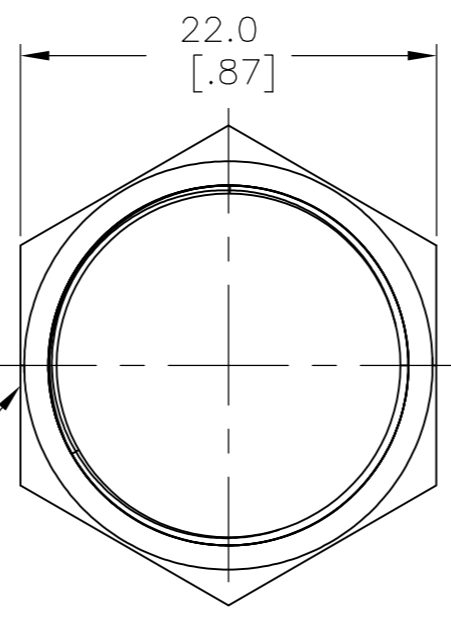
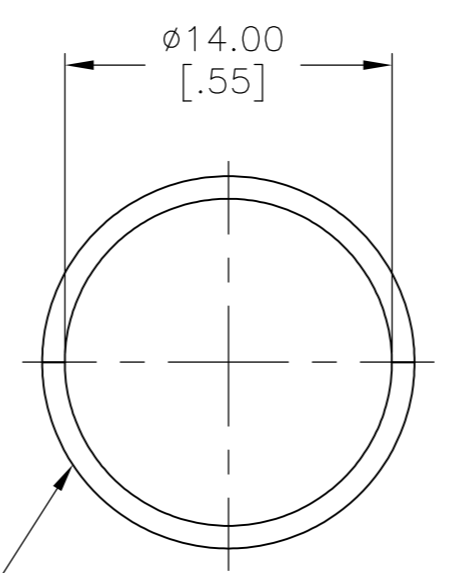
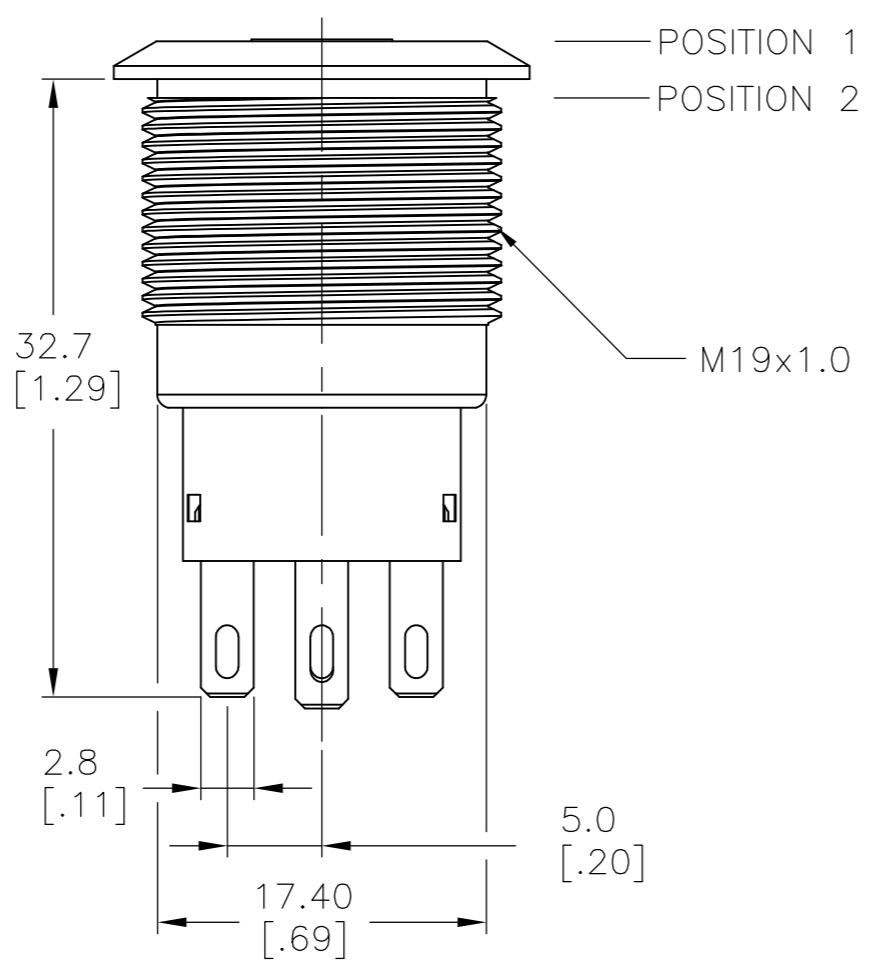
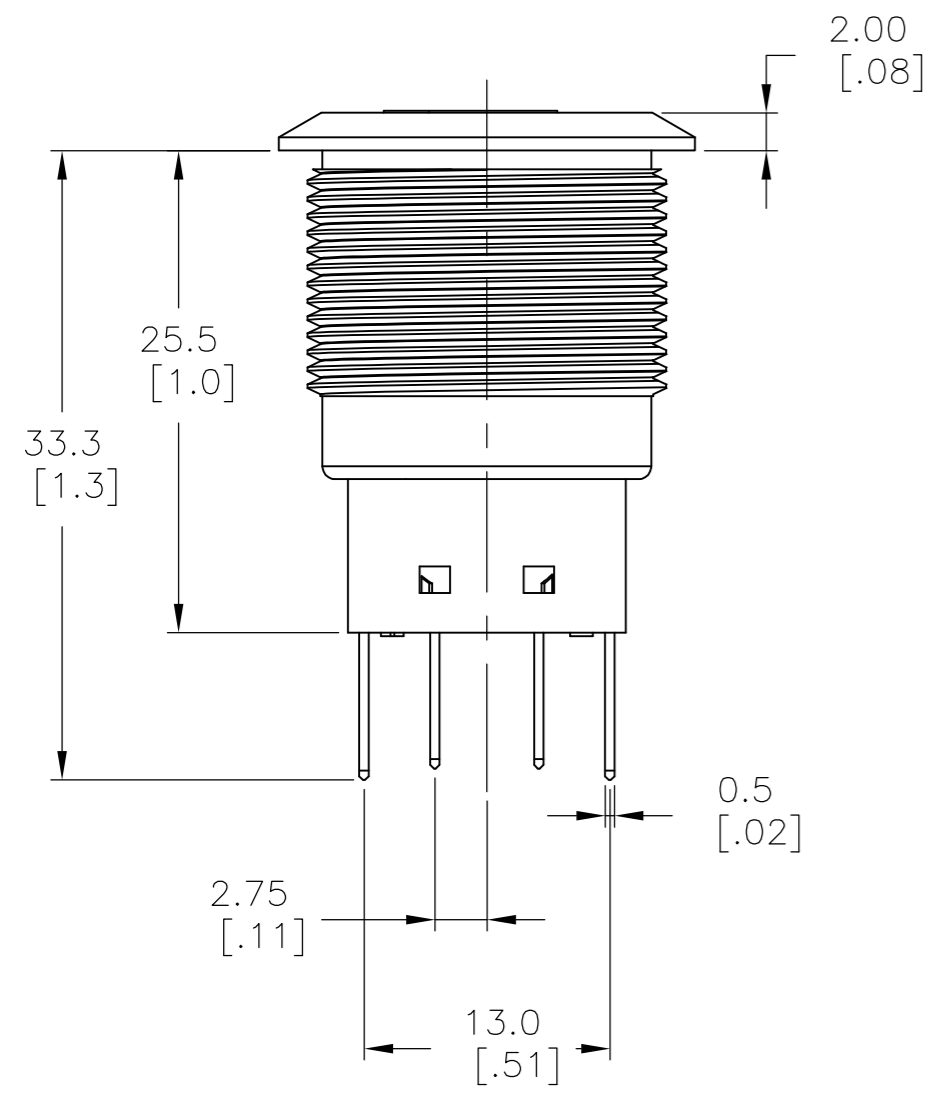
DOUBLE POLE SWITCH WITH DUAL COLOR LED'S



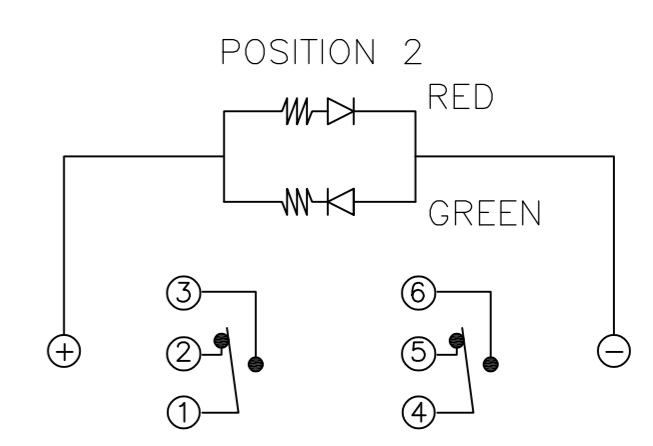
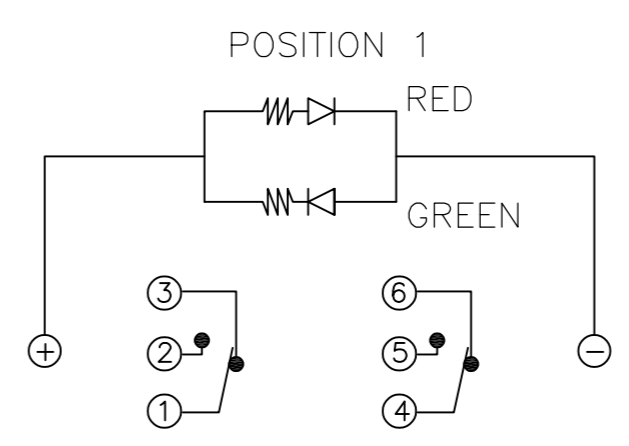
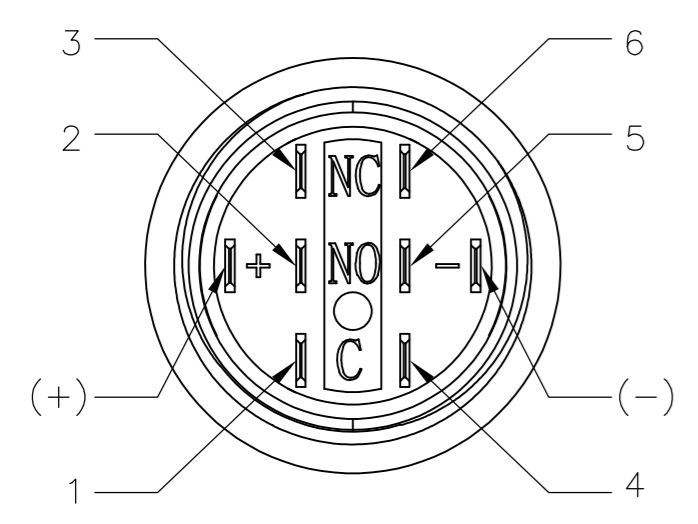
PANEL CUTOUT
 MAX.PANEL THICKNESS: 10.00[.394]



ASSEMBLED VIEW



EXPLODED VIEW

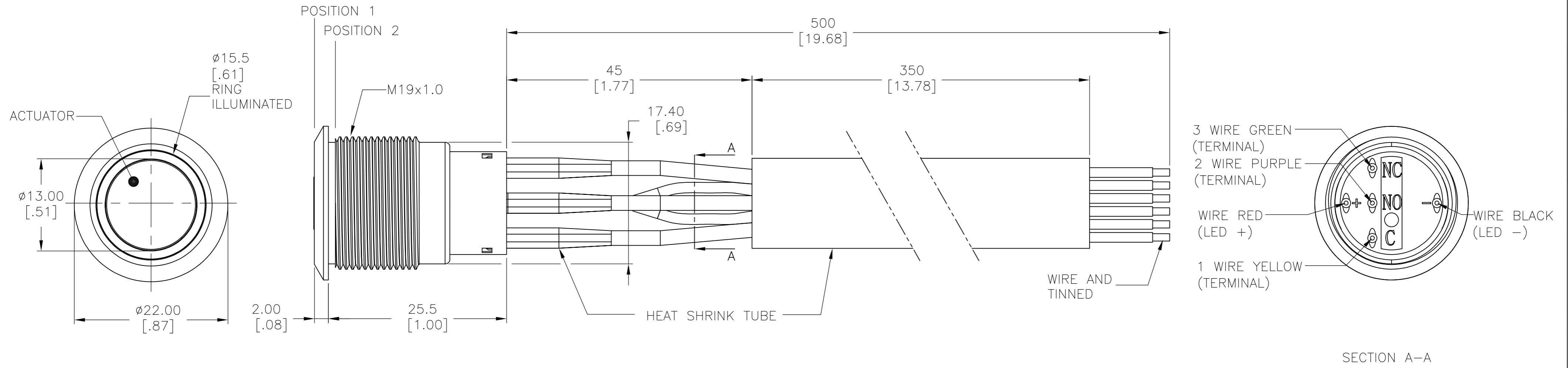


THIS DRAWING IS A CONTROLLED DOCUMENT.		DWN 13MAR2017 SHIVAKUMAR S S		
DIMENSIONS: mm [INCHES]		CHK 13MAR2017 SANJAY SHINDIKAR		
TOLERANCES UNLESS OTHERWISE SPECIFIED:		APVD 13MAR2017 SANJAY SHINDIKAR	NAME ANTI-VANDAL SWITCH 19mm DUAL COLOR LED, FLYING LEADS WITH MOVING RING	
0 PLC ± -		PRODUCT SPEC	SIZE CAGE CODE DRAWING NO RESTRICTED TO	
1 PLC ± 0.4[.016]		APPLICATION SPEC	A2 00779 C=2316531 -	
2 PLC ± 0.25[.010]		WEIGHT 0	SCALE 1:1 SHEET 2 of 5 REV A	
3 PLC ± -		CUSTOMER DRAWING		
4 PLC ± -				
ANGLES ± 2°				
FINISH -				

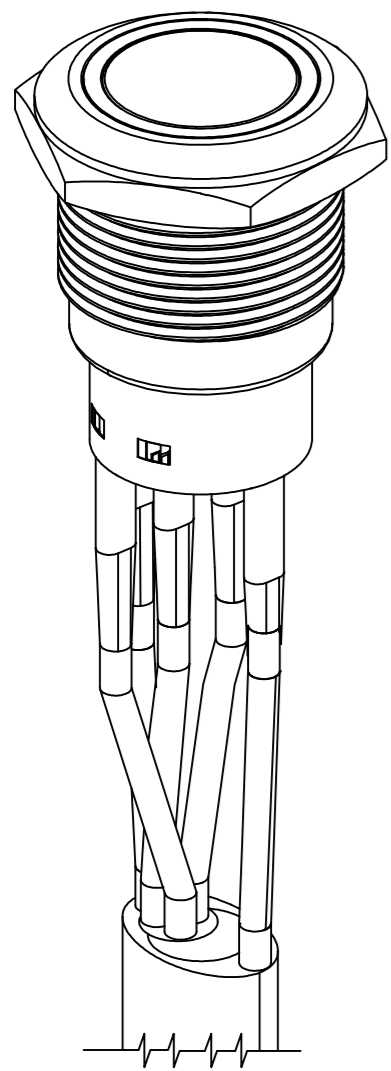
THIS DRAWING IS UNPUBLISHED. RELEASED FOR PUBLICATION
 © COPYRIGHT - By - ALL RIGHTS RESERVED.

REVISIONS					
P	LTR	DESCRIPTION	DATE	DWN	APVD
-	-	SEE SHEET 1	-	-	-

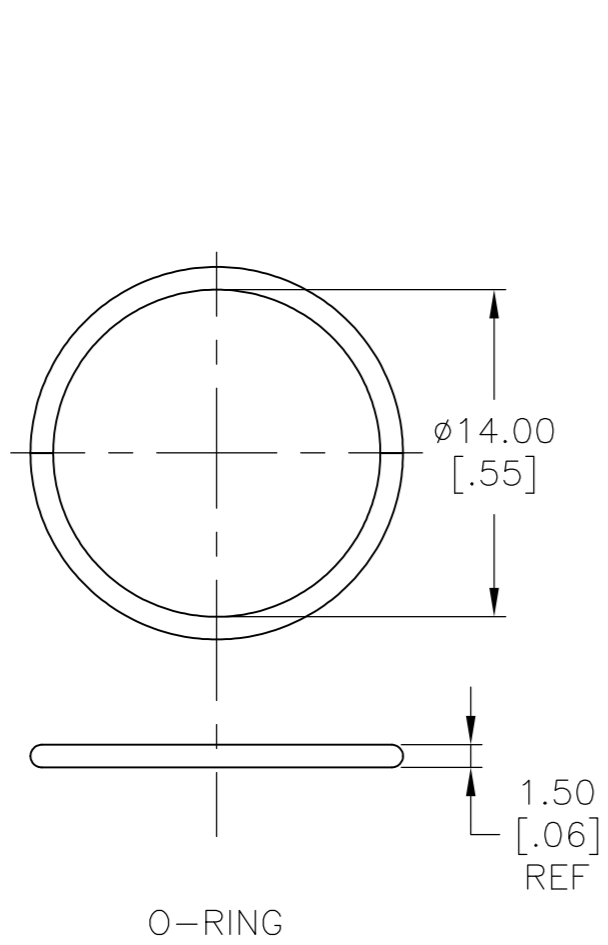
SINGLE POLE SWITCH WITH DUAL COLOR LED'S AND FLYING LEADS



WIRE=18AWG, 300V(BLACK,YELLOW/GREEN/RED/PURPLE)

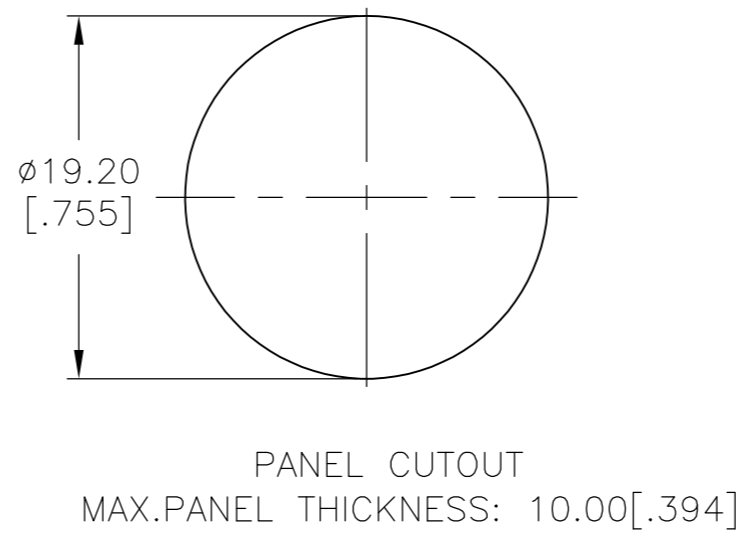


ASSEMBLED VIEW

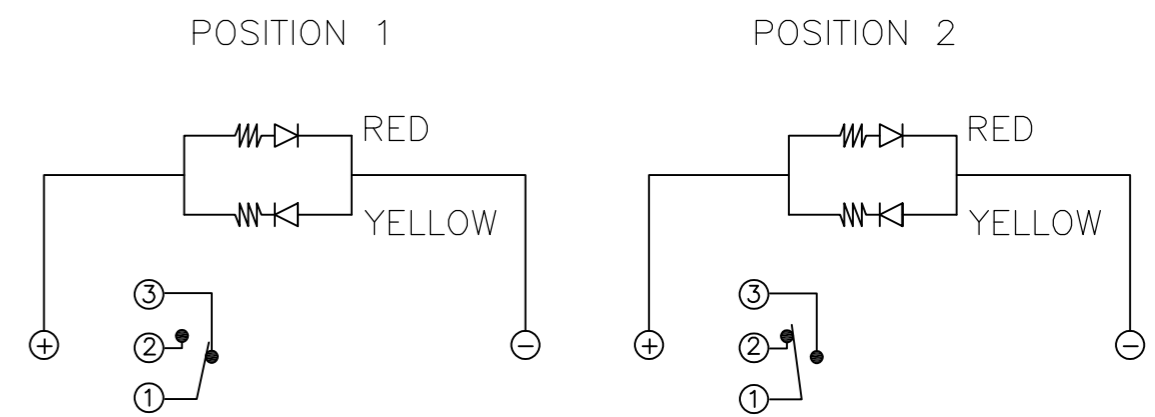


O-RING

HEX NUT



PANEL CUTOUT
MAX.PANEL THICKNESS: 10.00[.394]



POSITION 1

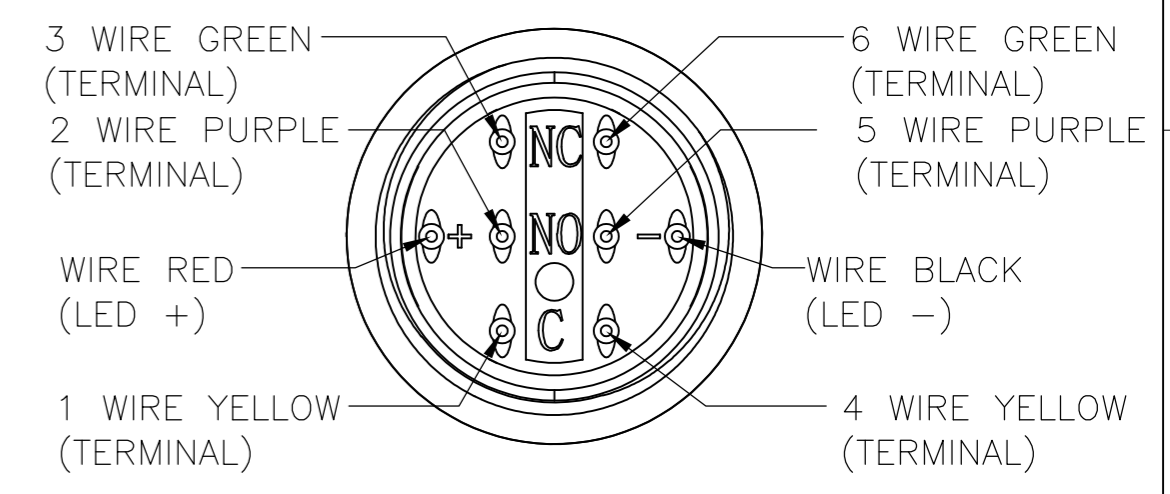
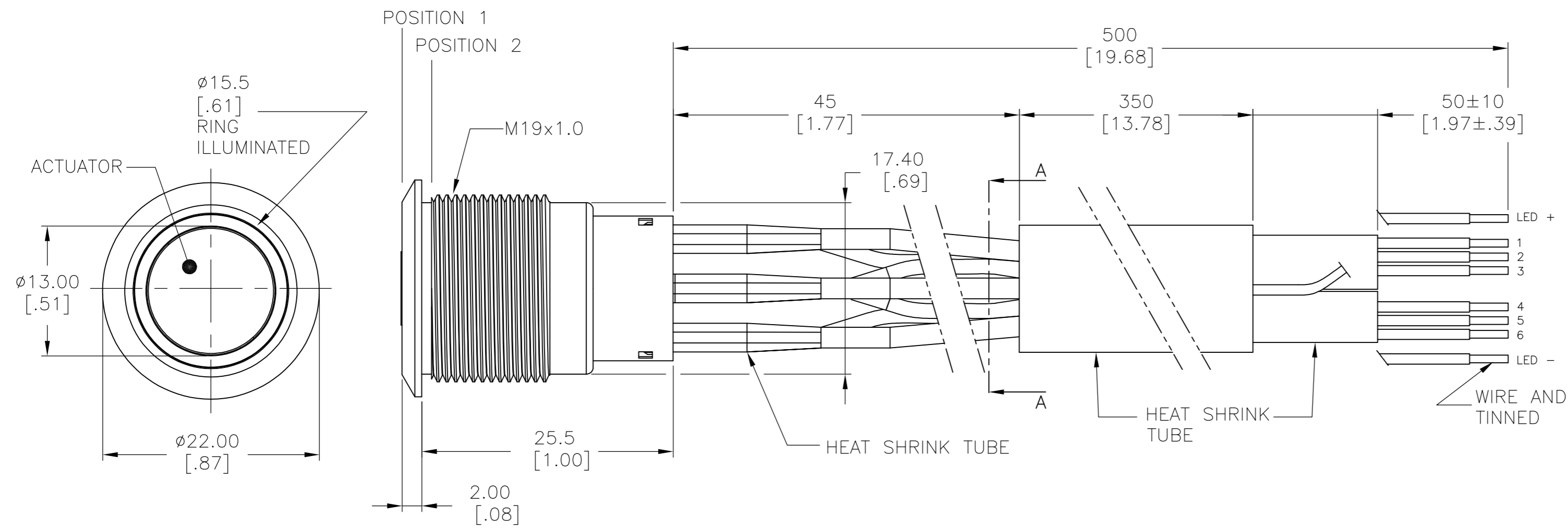
POSITION 2

THIS DRAWING IS A CONTROLLED DOCUMENT.		DWN	13MAR2017		TE Connectivity		
DIMENSIONS: mm [INCHES]		CHK	13MAR2017		NAME		
TOLERANCES UNLESS OTHERWISE SPECIFIED:		APVD	13MAR2017		ANTI-VANDAL SWITCH 19mm DUAL COLOR LED, FLYING LEADS WITH MOVING RING		
0 PLC ± -		PRODUCT SPEC			SIZE	CAGE CODE	DRAWING NO
1 PLC ± 0.4[.016]		APPLICATION SPEC		A2	00779	C=2316531	
2 PLC ± 0.25[.010]		WEIGHT	0	SCALE		1:1	
3 PLC ± -		CUSTOMER DRAWING		SHEET		3 OF 5	
4 PLC ± -				REV		A	
ANGLES ± 2°							
FINISH							

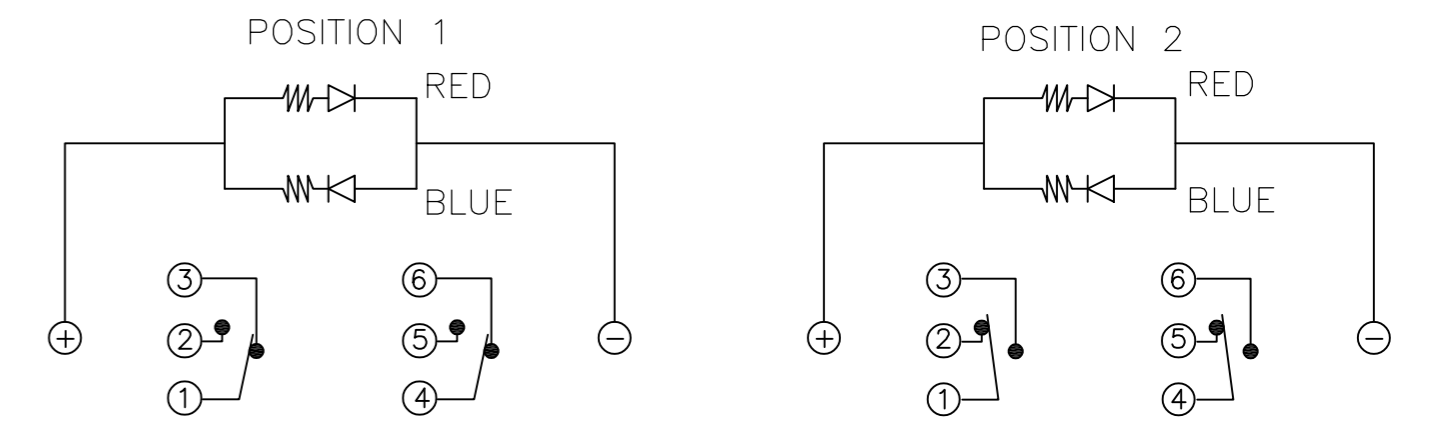
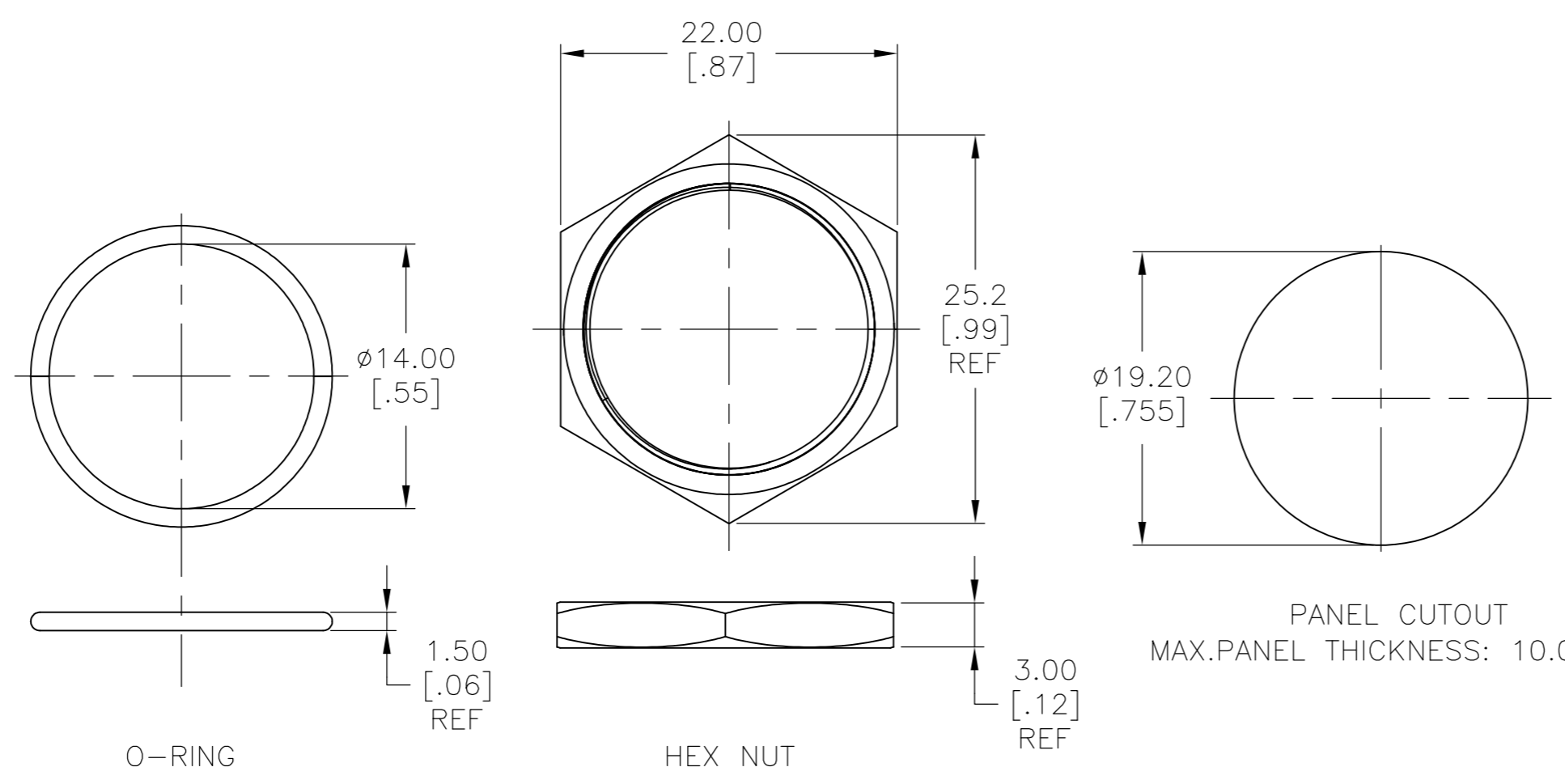
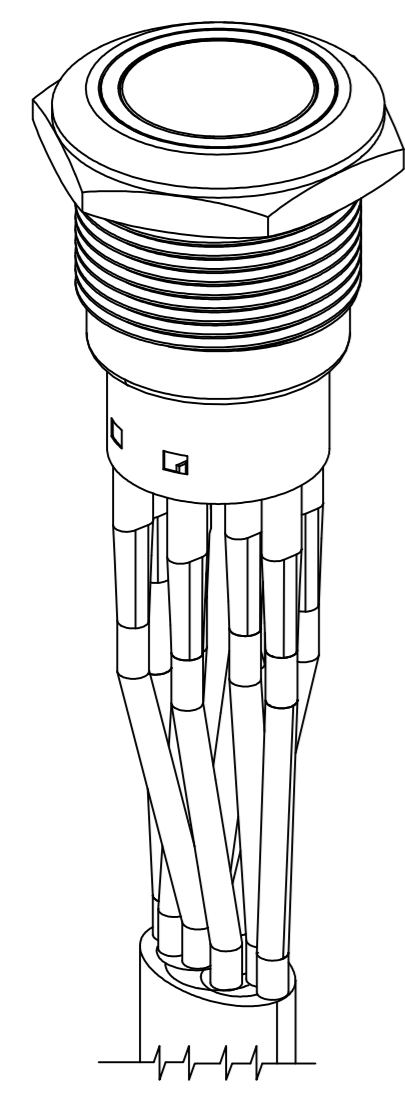
THIS DRAWING IS UNPUBLISHED. RELEASED FOR PUBLICATION
 © COPYRIGHT - By - ALL RIGHTS RESERVED.

REVISIONS					
P	LTR	DESCRIPTION	DATE	DWN	APVD
-	-	SEE SHEET 1	-	-	-

DOUBLE POLE SWITCH WITH DUAL COLOR LED'S AND FLYING LEADS



WIRE=18AWG, 300V(BLACK,YELLOW/GREEN/RED/PURPLE)



THIS DRAWING IS A CONTROLLED DOCUMENT.		DWN SHIVAKUMAR S S 13MAR2017			
DIMENSIONS: mm [INCHES]		CHK SANJAY SHINDIKAR 13MAR2017			
TOLERANCES UNLESS OTHERWISE SPECIFIED:		APVD SANJAY SHINDIKAR 13MAR2017	DRAWING NO A2 00779		RESTRICTED TO
0 PLC ± - 1 PLC ± 0.4[.016] 2 PLC ± 0.25[.010] 3 PLC ± - 4 PLC ± - ANGLES ± 2°		PRODUCT SPEC	SCALE 1:1		SHEET 4 OF 5
MATERIAL -		FINISH -	WEIGHT 0	CAGE CODE C=2316531	REV A
CUSTOMER DRAWING			SCALE 1:1 SHEET 4 OF 5 REV A		

THIS DRAWING IS UNPUBLISHED. RELEASED FOR PUBLICATION
 © COPYRIGHT - By - ALL RIGHTS RESERVED.

REVISIONS					
P	LTR	DESCRIPTION	DATE	DWN	APVD
-	-	SEE SHEET 1	-	-	-

CONTACT PLATING	LIGHT TYPE	TERMINAL OPTION	POLE/THROW	LED COLOR	LED VOLTAGE	TE DESCRIPTIVE PART NUMBER	TE PART NUMBER
SILVER	MOVING RING	FLYING LEAD TERMINALS	DOUBLE POLE - MOMENTARY	RED & YELLOW	24	AV1920EG24T5Q04	4-2316531-7
					12	AV1920EG12T5Q04	4-2316531-6
				RED & BLUE	24	AV1920EB24T5Q04	4-2316531-5
					12	AV1920EB12T5Q04	4-2316531-4
				RED & GREEN	24	AV1920EA24T5Q04	4-2316531-3
					12	AV1920EA12T5Q04	4-2316531-2
			SINGLE POLE - LOCKING	RED & YELLOW	24	AV1911EG24T5Q04	4-2316531-1
					12	AV1911EG12T5Q04	4-2316531-0
				RED & BLUE	24	AV1911EB24T5Q04	3-2316531-9
					12	AV1911EB12T5Q04	3-2316531-8
				RED & GREEN	24	AV1911EA24T5Q04	3-2316531-7
					12	AV1911EA12T5Q04	3-2316531-6
		SOLDER TERMINALS	DOUBLE POLE - MOMENTARY	RED & YELLOW	24	AV1910EG24T5Q04	3-2316531-5
					12	AV1910EG12T5Q04	3-2316531-4
				RED & BLUE	24	AV1910EB24T5Q04	3-2316531-3
					12	AV1910EB12T5Q04	3-2316531-2
				RED & GREEN	24	AV1910EA24T5Q04	3-2316531-1
					12	AV1910EA12T5Q04	3-2316531-0
			SINGLE POLE - LOCKING	RED & YELLOW	24	AV1920EG24Q04	1-2316531-8
					12	AV1920EG12Q04	1-2316531-7
				RED & BLUE	24	AV1920EB24Q04	1-2316531-6
					12	AV1920EB12Q04	1-2316531-5
				RED & GREEN	24	AV1920EA24Q04	1-2316531-4
					12	AV1920EA12Q04	1-2316531-3
SINGLE POLE - MOMENTARY	RED & YELLOW	24	AV1911EG24Q04	1-2316531-2			
		12	AV1911EG12Q04	1-2316531-1			
	RED & BLUE	24	AV1911EB24Q04	1-2316531-0			
		12	AV1911EB12Q04	2316531-9			
	RED & GREEN	24	AV1911EA24Q04	2316531-8			
		12	AV1911EA12Q04	2316531-7			
SINGLE POLE - MOMENTARY	RED & YELLOW	24	AV1910EG24Q04	2316531-6			
		12	AV1910EG12Q04	2316531-5			
	RED & BLUE	24	AV1910EB24Q04	2316531-4			
		12	AV1910EB12Q04	2316531-3			
	RED & GREEN	24	AV1910EA24Q04	2316531-2			
		12	AV1910EA12Q04	2316531-1			

THIS DRAWING IS A CONTROLLED DOCUMENT.		DWN 13MAR2017 SHIVAKUMAR S S	TE TE Connectivity	
DIMENSIONS: mm [INCHES]		CHK 13MAR2017 SANJAY SHINDIKAR		
TOLERANCES UNLESS OTHERWISE SPECIFIED:		APVD 13MAR2017 SANJAY SHINDIKAR	NAME ANTI-VANDAL SWITCH 19mm DUAL COLOR LED, FLYING LEADS WITH MOVING RING	
0 PLC ± -		PRODUCT SPEC -	SIZE CAGE CODE DRAWING NO RESTRICTED TO	
1 PLC ± 0.4[.016]		APPLICATION SPEC -	A2 00779 C=2316531	
2 PLC ± 0.25[.010]		WEIGHT 0	SCALE 1:1 SHEET 5 OF 5 REV A	
3 PLC ± -		CUSTOMER DRAWING		
4 PLC ± -				
ANGLES ± 2°				
FINISH -				