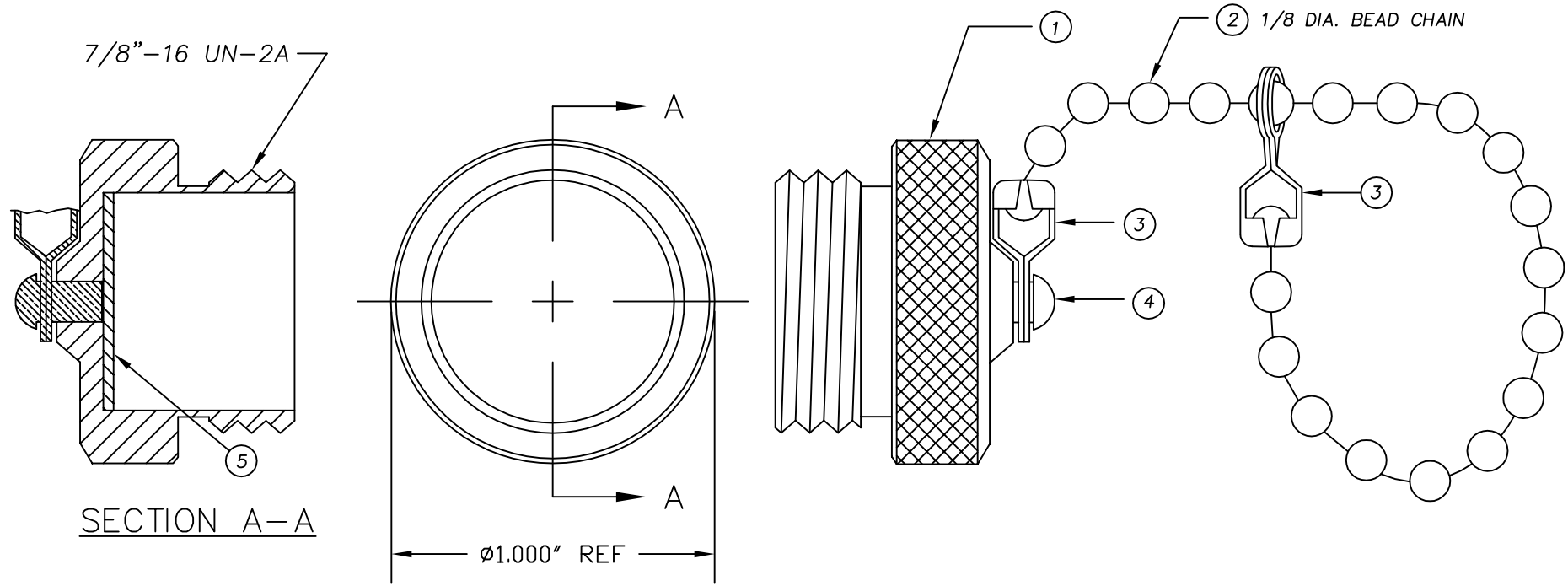


REF.	DESCRIPTION
1	303 STAINLESS STEEL CAP
2	6 INCH 1/8 DIA. STAINLESS STEEL BEAD CHAIN
3	STAINLESS STEEL CHAIN FASTENER
4	#4X3/16 DRIVE SCREW
5	NEOPRENE GASKET



UPDATE PER JM EC NO: WNA2009-0313 DRWN: LHARTMAN 2008/10/27 CHKD: YOU 2008/11/07 APPR: JFMURPHY 2008/11/10	QUALITY SYMBOLS ▽=0 ∇=0	GENERAL TOLERANCES (UNLESS SPECIFIED)		DIMENSION STYLE		SCALE	DESIGN UNITS	THIRD ANGLE PROJECTION	
			mm	INCH	----	----	2:1	INCH	
		4 PLACES	±----	±----	DRAWN BY	DATE	TITLE		
		3 PLACES	±----	±----	LHARTMAN	2008/10/27	MINI-CHANGE CLOS CAP FF A-SIZE EXTERNAL THREAD WITH BEAD CHAIN AND LOOP		
2 PLACES	±----	±----	CHECKED BY	DATE	MOLEX INCORPORATED				
1 PLACE	±----	±----	VOU	2008/10/27	DOCUMENT NO.				
ANGULAR ±--°		DRAFT WHERE APPLICABLE MUST REMAIN WITHIN DIMENSIONS		APPROVED BY	DATE	SHEET NO.			
				JFMURPHY	2008/10/27	SD-130046-004		1 OF 1	
				MATERIAL NO.	THIS DRAWING CONTAINS INFORMATION THAT IS PROPRIETARY TO MOLEX INCORPORATED AND SHOULD NOT BE USED WITHOUT WRITTEN PERMISSION				
				SIZE					
				A					